

INTERNATIONAL

# R

**PRODUCT CATALOGUE  
INTERNATIONAL MARKETS**

**2021**



Autonomous residential | Centralized residential | Service Industry | Industrial Process

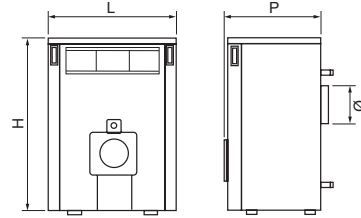
March **2021**

## Three flue gas passes cast iron jet burner boilers

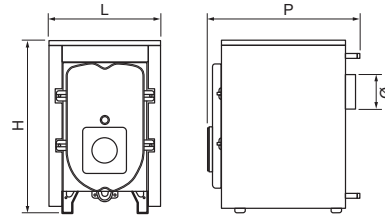
## RTT



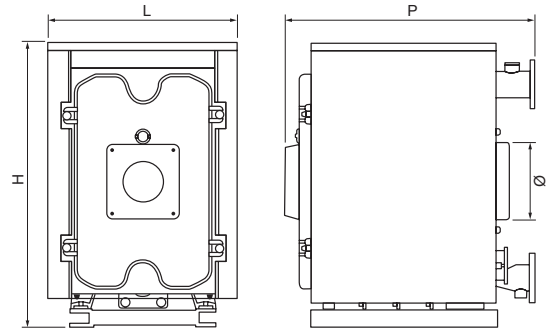
RTT 29÷79



RTT 76÷355



RTT 378÷930



- Cast-iron boilers with three flue gas passes
- They can be matched with oil or gas jet burner

Description	H mm	L mm	P mm	Ø mm	Net weight kg
RTT 29	840	540	455	130	148
RTT 39	840	640	555	130	175
RTT 49	840	740	655	150	202
RTT 59	840	840	755	150	229
RTT 69	840	940	855	150	256
RTT 79	840	1010	955	150	283
RTT 76	820	550	800	150	285
RTT 93	820	550	922	150	330
RTT 110	820	550	1044	180	377
RTT 128	820	550	1166	180	425
RTT 145	820	550	1288	180	470
RTT 163	820	550	1170	180	485
RTT 195	820	550	1315	180	565
RTT 227	820	550	1460	250	650
RTT 259	820	550	1605	250	735
RTT 291	820	550	1750	250	810
RTT 323	820	550	1890	250	895
RTT 355	820	550	2035	250	975

Description	H mm	L mm	P mm	Ø mm	Net weight kg
<b>RTT 378</b>	1355	840	1300	350	1020
<b>RTT 448</b>	1355	840	1460	350	1235
<b>RTT 506</b>	1355	840	1620	350	1415
<b>RTT 564</b>	1355	840	1780	350	1555
<b>RTT 610</b>	1355	840	1940	350	1725
<b>RTT 663</b>	1355	840	2100	350	1875
<b>RTT 715</b>	1355	840	2260	350	1975
<b>RTT 773</b>	1355	840	2420	350	2170
<b>RTT 831</b>	1355	840	2580	350	2375
<b>RTT 878</b>	1355	840	2740	350	2465
<b>RTT 930</b>	1355	840	2900	350	2540

The RTT boilers are forced-draught heat generators. They are formed of cast iron elements and work with gas or liquid fuel. The vertical structure with three flue passes ensures excellent heat transmission. The heat transmission surfaces are increased thanks to a special finning in the combustion chamber and in the discharge pipe to the flue. The optimum heat exchange and insulation quality mean reduced fuel consumption and heat losses. The RTT models 29÷79 kW, are supplied with an integrated control panel. The RTT models 76÷145 kW, are supplied pre-assembled, with the cover already fitted. The range from 169 to 355 is supplied with the cover in a separate package. The RTT models 378÷930 kW are supplied separately, to facilitate movement and transport.

The models from 76 up to 930 kW must be completed with the RIELLOtech Prime control panel, that should be ordered separately; it permits to achieve several solutions.  
 - Maximum operating pressure 6 bar.

**TECHNICAL DATA**

Description	Output kW	Input kW	Efficiency Pn %	Code
<b>RTT 29</b>	29,1	31,6	92,1	<b>20091169</b>
<b>RTT 39</b>	39,0	42,3	92,2	<b>20091170</b>
<b>RTT 49</b>	48,8	53,6	91,0	<b>20091171</b>
<b>RTT 59</b>	58,7	63,8	92,0	<b>20091172</b>
<b>RTT 69</b>	68,6	74,5	92,1	<b>20091173</b>
<b>RTT 79</b>	78,5	85,3	92,0	<b>20091175</b>
<b>RTT 76</b>	76,0	82,0	92,6	<b>20091179</b>
<b>RTT 93</b>	93,0	101,0	92,1	<b>20091181</b>
<b>RTT 110</b>	110,0	120,0	91,6	<b>20091187</b>
<b>RTT 128</b>	128,0	138,0	92,7	<b>20091189</b>
<b>RTT 145</b>	145,0	157,0	92,3	<b>20091193</b>
<b>RTT 163</b>	163,0	177,0	92,0	<b>20091302</b>
<b>RTT 195</b>	195,0	211,0	92,4	<b>20091303</b>
<b>RTT 227</b>	227,0	246,0	92,3	<b>20091304</b>
<b>RTT 259</b>	259,0	281,0	92,1	<b>20091305</b>
<b>RTT 291</b>	291,0	316,0	92,1	<b>20091306</b>
<b>RTT 323</b>	323,0	351,0	92,0	<b>20091308</b>
<b>RTT 355</b>	355,0	385,0	92,2	<b>20091309</b>
<b>RTT 378</b>	378,0	410,0	92,2	<b>20093090</b>
<b>RTT 448</b>	448,0	487,0	92,0	<b>20091316</b>
<b>RTT 506</b>	506,0	551,0	91,8	<b>20091318</b>
<b>RTT 564</b>	564,0	615,0	91,7	<b>20091321</b>
<b>RTT 610</b>	610,0	665,0	91,7	<b>20091325</b>
<b>RTT 663</b>	663,0	720,0	92,1	<b>20091326</b>
<b>RTT 715</b>	715,0	777,0	92,0	<b>20091329</b>
<b>RTT 773</b>	773,0	839,0	92,1	<b>20091334</b>
<b>RTT 831</b>	831,0	900,0	92,3	<b>20091335</b>
<b>RTT 878</b>	878,0	956,0	91,8	<b>20091337</b>
<b>RTT 930</b>	930,0	1013,0	91,8	<b>20091339</b>

Maximum operating pressure 6 bar.

## CONTROL PANELS

Description	Installation	Boiler models	Code
RIELLOtech PRIME	Horizontal/Vertical	RTT 76÷355 - RTT 378 ÷ 930	<b>20010820</b>
RIELLOtech PRIME ACS	Horizontal/Vertical	RTT 76÷355 - RTT 378 ÷ 930	<b>20010437</b>

NOTE: for more details on control panels, please refer to page 325.

## RECOMMENDED COMBINATIONS WITH BURNERS

Description	Back-pressure in combustion chamber (mbar)	Oil burner										Control panels		
		Yellow flame (Standard)										Riello tech Prime	Two stage burner management kit	
		One stage					Two stage							
		RG1R	RG2	RG3	RG3D	RG4D	RG5D	RL 100 TC	RL 34 MZ TC	RL 44 MZ TC	RL 50 TC	RL 70 TC	20010820	4031067
RTT 29	0,46	●												
RTT 39	0,59		●											
RTT 49	0,89		●											
RTT 69	1,37		●	●										
RTT 79	1,56			●										
RTT 76	1,65			●									●	
RTT 93	1,82				●								●	●
RTT 110	2,05				●								●	●
RTT 128	2,3					●							●	●
RTT 145	2,55						●						●	●
RTT 163	1,6						●						●	●
RTT 195	1,7						●						●	●
RTT 227	1,9							●					●	●
RTT 259	2,2							●					●	●
RTT 291	2,5							●					●	●
RTT 323	2,8								●				●	●
RTT 355	3,1								●				●	●
RTT 378	2,2								●				●	●
RTT 448	2,4									●			●	●
RTT 506	2,75										●		●	●
RTT 564	3,1											●	●	●
RTT 610	3,35											●	●	●
RTT 663	3,7											●	●	●
RTT 715	4,05											●	●	●
RTT 773	4,35							●					●	●
RTT 831	4,75							●					●	●
RTT 878	4,95							●					●	●
RTT 930	5,5							●					●	●

NOTE: the light oil burners must be completed with the light oil nozzles.

# CONTROL PANELS AND THERMOREGULATIONS



APPLICATION	ELECTRONIC		THERMOSTATIC	
	CLIMA COMFORT	CLIMA MIX	PRIME	PRIME ACS
HORIZONTAL	•		•	•
VERTICAL	•	•		
FOR ELECTRICAL CABINET	•	•		
BURNER	Modulating*		One stage/two stage (with kit code 4031067)	One stage/two stage (with kit code 4031067)
CASCADE APPLICATION	• Immersion or clip probe			
SOLAR SYSTEM	• Probes 2 x 20010103 1 x 4031913			
DHW TANK	○ Probe 1 x 20010103			• Probe included
DIRECT ZONE	•		•	•
1 <sup>st</sup> MIXED ZONE	• Immersion or clip probe	• Immersion or clip probe		
	Optional: indoor probe or remote control RC3			
2 <sup>nd</sup> MIXED ZONE	• With kit 20102310, immersion or clip probe	• With kit 20011194, immersion or clip probe		
	Optional: indoor probe or remote control RC3			
ALTERNATIVE SOURCE GENERATOR	• For biomass: immersion probe			

\* For modulating burner matched with cabinet installation control panel, add kit code 20013035.

## USE OF RIELLOTECH REGULATION SYSTEMS

RIELLOTECH regulation systems are specifically designed for the following ranges: TAU N, RTS 3S, RTQ and RTQ 3S. Besides they allow the addition of more functions concerning the thermoregulations integrated in the model TAU UNIT OIL.

The complete compositions and the communication kits are to be checked on the specific accessories tables in the sections concerning boilers and thermal groups.

# RIELLO

RIELLO S.p.A.  
37045 Legnago (VR)  
tel. +39 0442 630111  
fax +39 0442 630371

March 2021

PRODUCT CATALOGUE

In order to improve its products, RIELLO reserves the right to modify the characteristics and information contained in this catalogue at any time and without prior notice.  
This catalogue, therefore, cannot be considered as contractually binding on third parties.

[www.riello.com](http://www.riello.com)

Code 27017365