

INTERNATIONAL

R

**PRODUCT CATALOGUE
INTERNATIONAL MARKETS**

2021

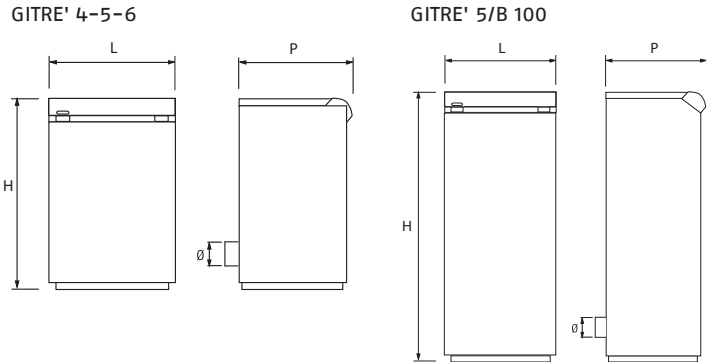


Autonomous residential | Centralized residential | Service Industry | Industrial Process

March **2021**

Cast iron floor-standing standard boilers

Gitrè



- In conformity with Directive 2009/125/EC
- Cast iron oil floor standing boilers, with three flue gas passes, removable turbolators and winged pipes

Description	H mm	L mm	P mm	Ø mm	Net weight kg
GITRÈ 4	850	450	800	130	182
GITRÈ 5	850	450	900	130	214
GITRÈ 6	850	450	1000	130	248
GITRÈ 5 B/100	1500	600	900	130	286

Cast iron floor standing boiler with three flue gas passes and single stage oil burner, with standard combustion and low polluting emissions; wet horizontal combustion chamber and highly insulated boiler body. GITRÈ is available in only heating models or combined for DHW production, provided with an enameled 100 liters storage tanks featuring a double-layer insulation.

- All models are equipped with a thermostatic control panel, with IP X0D protection
- Energy efficiency class B both in heating and DHW production
- Return temperature up to 37 °C
- Ease of maintenance: combustion chamber, flues battery, control panel and hydraulic fittings are easy to access
- Available as accessory the electronic kit to control up to three direct zones

GITRÈ 4-5-6: cast iron oil floor standing boilers for space heating.

GITRÈ 5 B/100: cast iron oil floor standing boilers for space heating and DHW production with the integrated 100 liters storage tank.

TECHNICAL DATA

Description	Output 80°/60° max kW	Input min - max kW	Efficiency Pn (80/60 °C) %	Efficiency 30% Pn (37°Creturn) %	DHW production Δt 35 °C l/min	Tank capacity liters	Energy efficiency class	Code
LOW NOX VERSION - HEATING ONLY								
GITRÈ 4	23,8	25	95,3	97,4	-	-	B	20123950
GITRÈ 5	30,7	32	96,1	97,2	-	-	B	20123952
GITRÈ 6	38,5	40	96,2	97,3	-	-	B	20123953
LOW NOX VERSION - HEATING AND DHW PRODUCTION WITH TANK								
GITRÈ 5 B/100	30,7	32	96,1	97,2	10,2	100	B	20123954

ACCESSORIES

Description	Code
ELECTRICAL ACCESSORIES	
Electrical multi-zone kit	20168656

RIELLO

RIELLO S.p.A.
37045 Legnago (VR)
tel. +39 0442 630111
fax +39 0442 630371

March 2021

PRODUCT CATALOGUE

In order to improve its products, RIELLO reserves the right to modify the characteristics and information contained in this catalogue at any time and without prior notice.
This catalogue, therefore, cannot be considered as contractually binding on third parties.

www.riello.com

Code 27017365