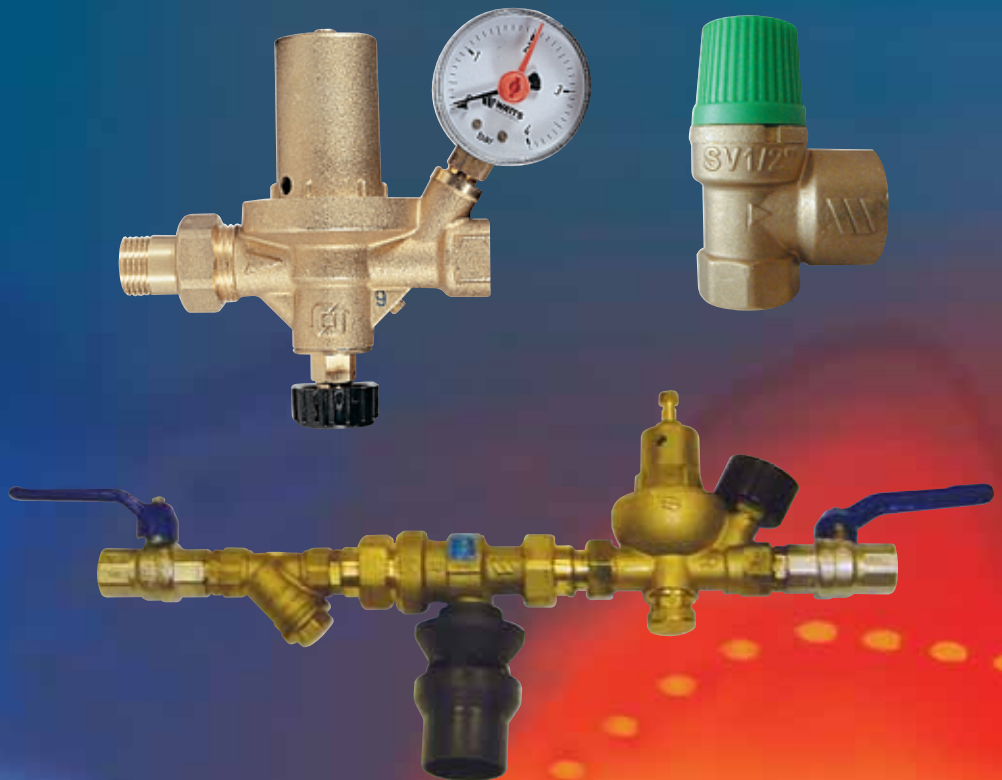


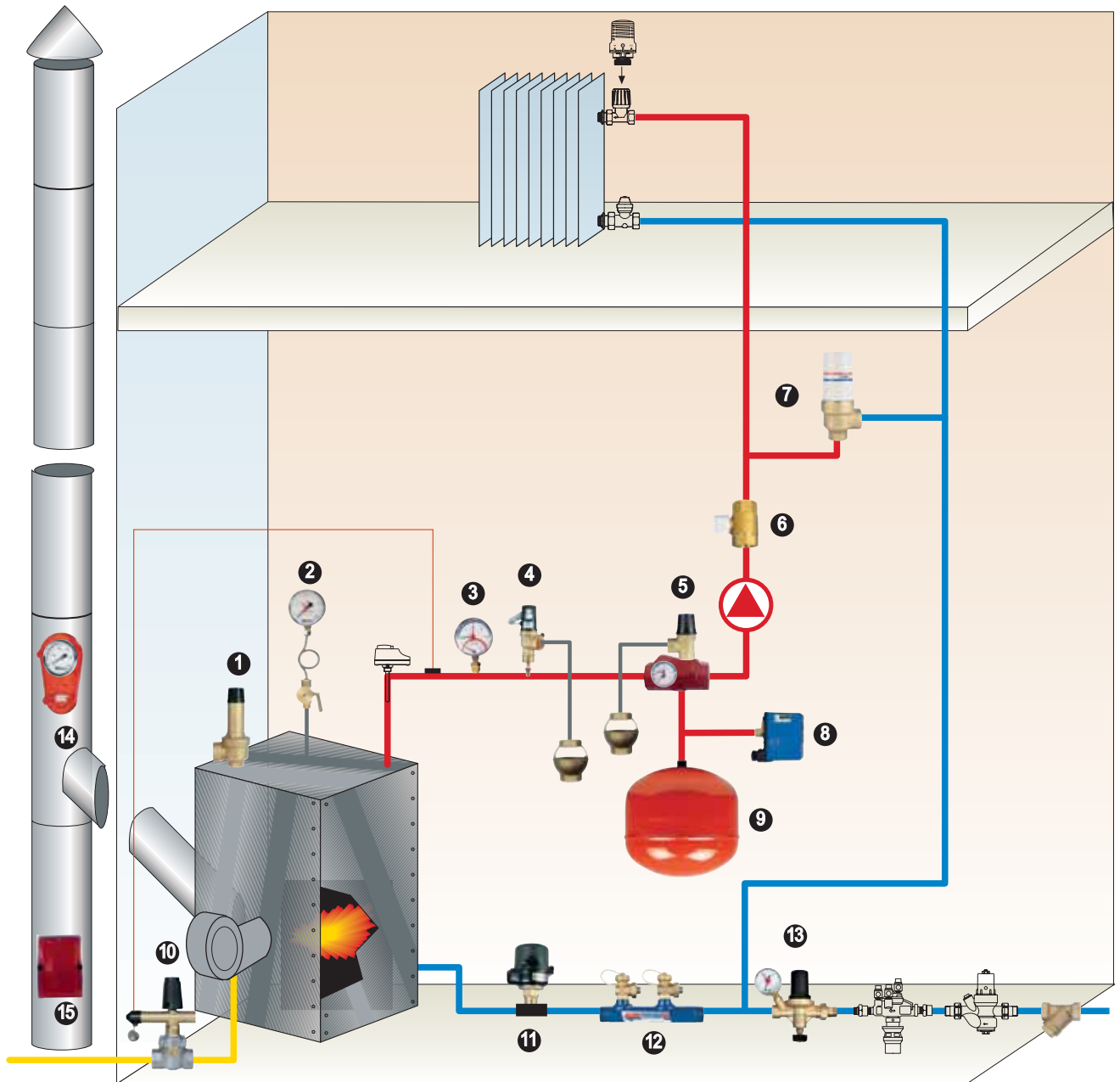
Section - C

# Boiler components



**WATTS**<sup>®</sup>  
INDUSTRIES  
Technology by nature

EXAMPLE OF APPLICATION



- |   |  |
|---|--|
| <ul style="list-style-type: none"> <li>1 Safety valves.</li> <li>2 Pressure gauge.</li> <li>3 Thermometer/pressure gauge.</li> <li>4 Thermal drain valves.</li> <li>5 Safety valves.</li> <li>6 Check valves.</li> <li>7 Relief valves.</li> <li>8 Pressure switch for heating systems.</li> <li>9 Expansion tank.</li> </ul> | <ul style="list-style-type: none"> <li>10 Fuel shut-off valves.</li> <li>11 Flow switch.</li> <li>12 Metering pipes.</li> <li>13 Filling valve.</li> <li>14 Fume inspection plate.</li> <li>15 Inspection door.</li> </ul> |
|---|--|

**SAFETY VALVES**

**VST**

Diaphragm safety valve, fixed setting. Body of brass CW617N.  
 Nominal pressure: NP10. Overpressure: 10%. Blowdown: 20%. Max. temperature: 120°C.  
 Female connections with reinforced outlet.

**ISPESL approved and calibrated. According to Directive PED 97/23/CE.**  
**Identification number CE1115.**

Type	Part number	Size body	bar	Box Qty
VST	0212122	1/2" x 3/4"	2,25	1
VST	0212125	1/2" x 3/4"	2,5	1
VST	0212127	1/2" x 3/4"	2,7	1
VST	0212130	1/2" x 3/4"	3	1
VST	0212135	1/2" x 3/4"	3,5	1
VST	0212140	1/2" x 3/4"	4	1
VST	0212145	1/2" x 3/4"	4,5	1
VST	0212150	1/2" x 3/4"	5	1
VST	0212154	1/2" x 3/4"	5,4	1
VST	0212160	1/2" x 3/4"	6	1
VST	0213122	3/4" x 1"	2,25	1
VST	0213125	3/4" x 1"	2,5	1
VST	0213127	3/4" x 1"	2,7	1
VST	0213130	3/4" x 1"	3	1
VST	0213135	3/4" x 1"	3,5	1
VST	0213140	3/4" x 1"	4	1
VST	0213145	3/4" x 1"	4,5	1
VST	0213150	3/4" x 1"	5	1
VST	0213154	3/4" x 1"	5,4	1
VST	0213160	3/4" x 1"	6	1
VST	0214122	1" x 1.1/4"	2,25	1
VST	0214125	1" x 1.1/4"	2,5	1
VST	0214127	1" x 1.1/4"	2,7	1
VST	0214130	1" x 1.1/4"	3	1
VST	0214135	1" x 1.1/4"	3,5	1
VST	0214140	1" x 1.1/4"	4	1
VST	0214145	1" x 1.1/4"	4,5	1
VST	0214150	1" x 1.1/4"	5	1
VST	0214154	1" x 1.1/4"	5,4	1
VST	0214160	1" x 1.1/4"	6	1

**Technical data and discharge flow rates for valves series VST**

Model	Pressure of (bar)			Orifice Ø mm	Orifice Section cm <sup>2</sup>	Flow coefficient K	Potential	
	Setting	Discharge	Closing				Steam discharge Capacity Kg/h	Boiler kW
1/2"x3/4"	2,25	2,475	1,80				205,67	119,29
	2,50	2,75	2,00				221,40	128,41
	2,70	2,97	2,16				233,78	135,59
	3,00	3,30	2,40				253,74	147,17
	3,50	3,85	2,80	15	1,7671	0,71	284,07	164,76
	4,00	4,40	3,20				318,07	164,76
	4,50	4,95	3,60				344,78	199,97
	5,00	5,50	4,00				376,39	218,30
	5,40	5,94	4,32				399,70	231,24
	6,00	6,60	4,80				442,81	256,83

Model	Pressure of (bar)			Orifice Ø mm	Orifice Section cm <sup>2</sup>	Flow coefficient K	Potential	
	Setting	Discharge	Closing				Steam discharge Capacity Kg/h	Boiler kW
3/4"x1"	2,25	2,475	1,80				412,01	238,96
	2,50	2,75	2,00				443,52	257,24
	2,70	2,97	2,16				468,31	271,62
	3,00	3,30	2,40				508,30	294,81
	3,50	3,85	2,80	20	3,1416	0,80	569,04	330,04
	4,00	4,40	3,20				637,17	369,55
	4,50	4,95	3,60				690,67	400,58
	5,00	5,50	4,00				753,98	437,31
	5,40	5,94	4,32				804,25	466,50
	6,00	6,60	4,80				887,04	514,48

Model	Pressure of (bar)			Orifice Ø mm	Orifice Section cm <sup>2</sup>	Flow coefficient K	Potential	
	Setting	Discharge	Closing				Steam discharge Capacity Kg/h	Boiler kW
1"x1.1/4"	2,25	2,475	1,80				571,37	331,37
	2,50	2,75	2,00				615,03	356,71
	2,70	2,97	2,16				649,41	376,65
	3,00	3,30	2,40				704,86	408,82
	3,50	3,85	2,80	25	4,9087	0,71	789,09	457,67
	4,00	4,40	3,20				883,56	512,46
	4,50	4,95	3,60				957,75	555,49
	5,00	5,50	4,00				1045,55	606,42
	5,40	5,94	4,32				1120,24	649,79
	6,00	6,60	4,80				1230,06	713,43

SAFETY VALVES

4



**MSL**

Normal type diaphragm safety valve. Brass CW617N body.  
 Plastic manual discharge knob.  
 Ni-Cr steel spring.  
 Operating temperature range: -10°C to 110°C.  
 Also with glycol: 50%.  
 1/2" M/F connections.

**MSL at 3 bar according to UDT and is AFNOR, CSTB approved.**

**According to Directive PED 97/23/CE. Identification number CE1115.**

**WRAS Approved**

Type	Part number	Size body	bar	Box Qty
MSL	0206115	1/2"	1,5	30
MSL	0206525	1/2"	2,5	30
MSL	0206530	1/2"	3	30
MSL	0206540	1/2"	4	30
MSL	0206150	1/2"	5	30
MSL	0206160	1/2"	6	30
MSL	0206170	1/2"	7	30
MSL	0206180	1/2"	8	30
MSL	0206190	1/2"	9	30
MSL	0206199	1/2"	10	30



**MSV**

Like MSL but with 1/2" female connections.

**WRAS Approved**

Type	Part number	Size body	bar	Box Qty
MSV	0207110	1/2"	1	30
MSV	0207115	1/2"	1,5	30
MSV	0207525	1/2"	2,5	30
MSV	0207530	1/2"	3	30
MSV	0207540	1/2"	4	30
MSV	0207150	1/2"	5	30
MSV	0207160	1/2"	6	30
MSV	0207170	1/2"	7	30
MSV	0207180	1/2"	8	30
MSV	0207190	1/2"	9	30
MSV	0207199	1/2"	10	30



**FOR SOLAR SYSTEMS**

**SVE-SOL**

Diaphragm safety valve for solar systems. Body of brass CW617N, EN 12165-99.  
 Elastomeric diaphragm. Discharge pressure factory set and with sealed knob.  
 Suitable for water, also water mixtures (glycol up to 50%) as according to DIN 4757 Part 1.  
 Max operating temperature: 160°C.

**TÜV SOLAR certified. According to Directive PED 97/23/CEE.  
 Identification number CE1115.**

Type	Part number	Size body	bar	Box Qty
SVE-SOL	0215835	1/2" x 3/4"	3,5	10
SVE-SOL	0215840	1/2" x 3/4"	4	10
SVE-SOL	0215860	1/2" x 3/4"	6	10
SVE-SOL	0215880	1/2" x 3/4"	8	10
SVE-SOL	0215899	1/2" x 3/4"	10	10

C

**SAFETY VALVES**

**SV**

Normal type diaphragm safety valve. Brass CW617N body. Plastic manual discharge knob. Ni-Cr steel spring. Diaphragm and seals of rubber resistant to 140°C. Female connections with reinforced outlet.

**TÜV/TSUP approved. According to Directive PED 97/23/CE.**  
**Identification number CE1115.**

**WRAS Approved**

Type	Part number	Size body	bar	Box Qty
SV	0216115	1/2" x 3/4"	1,5	10
SV	0215125	1/2" x 3/4"	2,5	10
SV	0215130	1/2" x 3/4"	3	10
SV	0215104	1/2" x 3/4"	4	10
SV	0216105	1/2" x 3/4"	5	10
SV	0216106	1/2" x 3/4"	6	10
SV	0216107	1/2" x 3/4"	7	10
SV	0216108	1/2" x 3/4"	8	10
SV	0216110	1/2" x 3/4"	10	10
SV	0217215	3/4" x 1"	1,5	10
SV	0217625	3/4" x 1"	2,5	10
SV	0217630	3/4" x 1"	3	10
SV	0217604	3/4" x 1"	4	10
SV	0217205	3/4" x 1"	5	10
SV	0217206	3/4" x 1"	6	10
SV	0217207	3/4" x 1"	7	10
SV	0217208	3/4" x 1"	8	10
SV	0217210	3/4" x 1"	10	10
SV	0218615	1" x 1.1/4"	1,5	10
SV	0218625	1" x 1.1/4"	2,5	10
SV	0218630	1" x 1.1/4"	3	10
SV	0218604	1" x 1.1/4"	4	10
SV	0218305	1" x 1.1/4"	5	10
SV	0218606	1" x 1.1/4"	6	10
SV	0218607	1" x 1.1/4"	7	10
SV	0218608	1" x 1.1/4"	8	10
SV	0218610	1" x 1.1/4"	10	10
SV	0219615	1" x 1.1/4"	1,5	10
SV	0219625	1" x 1.1/4"	2,5	10
SV	0219630	1" x 1.1/4"	3	10
SV	0219604	1" x 1.1/4"	4	10
SV	0219405	1" x 1.1/4"	5	10
SV	0219606	1" x 1.1/4"	6	10
SV	0219607	1" x 1.1/4"	7	10
SV	0219608	1" x 1.1/4"	8	10
SV	0219610	1" x 1.1/4"	10	10


**MSM/MSML**

Like MSV with BSP connections.  
 Set at 3.0 bar with gauge port. Supplied with and without gauge.

**WRAS Approved**

Type	Part number	Size body	Box Qty
MSML30 C/W GAUGE	0210430	1/2"M x 1/2"F	10
MSM30 C/W GAUGE	0210130	1/2"F x 1/2"F	10
MSML/E - NO GAUGE	0210530	1/2"F x 1/2"F	10

PRESSURE RELIEF VALVES AND COMMERCIAL SAFETY RELIEF VALVES

6



**P&T – PRESSURE AND TEMPERATURE RELIEF VALVES**

Fully automatic temperature and pressure relief valve. Protection for domestic installations of unvented water heaters, to prevent the temperature of water exceeding 100°C.  
 Pressed DZR brass body BSP threads.  
 Ethylene-propylene diaphragm.  
 Temperature setting 93/94°C.



**WRAS Approved**

Pressure	Part number	Size body	Box Qty
7 BAR	68000	M/F 1/2"	10
7 BAR	68003	M/F 1/2" x15mm	10
10 BAR	68002	M/F 1/2"	10
1.5 BAR	68812	M/F 3/4"	10
4 BAR	68815	M/F 3/4"	10
4.5 BAR	68816	M/F 3/4"	10
6 BAR	68520	M/F 3/4"	10
7 BAR	68620	M/F 3/4"	10
8 BAR	68720	M/F 3/4"	10
9 BAR	68830	M/F 3/4"	10
10 BAR	68820	M/F 3/4"	10

C



**SERIES 174A SAFETY RELIEF VALVE**

Bronze body safety relief valve for all types of hot water boiler equipment with manual lever.  
 Pressure range 30 to 150 psi (2 to 10 bar).  
 Operating temperature range Min. 1°C Max. 140°C.  
 Bronze body screwed BSP Female.  
 Stainless steel spring.  
 Teflon seat (avoids sticking).  
 EPDM membrane.  
 Available to order – other set pressures.

Pressure	Part number	Size body	Box Qty
3 BAR	EDP279030	3/4"	1
7 BAR	EDP279070	3/4"	1
3 BAR	EDP279150	1"	1
7 BAR	EDP279190	1"	1
3 BAR	EDP279220	1-1/4"	1
7 BAR	EDP279250	1-1/4"	1
3 BAR	EDP276487	1-1/2"	1
7 BAR	EDP276490	1-1/2"	1
3 BAR	EDP279320	2"	1
7 BAR	EDP279370	2"	1



**N36 VACUUM RELIEF VALVE**

Water services vacuum relief valve. Automatically vents a closed system if vacuum occurs. Relieves vacuum conditions which would siphon the water from the system and burn out a water heater or collapse a tank.  
 Max. operating pressure: 13.8 bar. Max. operating temperature: 121°C.  
 Venting capacity 425 litres/min (air).

Type	Part number	Size body	Box Qty
N36	EDP138457	1/2"	1
N36	EDP0138458	3/4"	1



**AUTOMATIC FILLING VALVES AND RELIEF VALVES**

**AL**
**ALIMAT**

Automatic filling valve complete with check valve, manual shut-off, stainless steel filter, vent screw. Brass CW617N body. High impact plastic cap.

Pressure gauge connection 1/4" F. Max. upstream pressure: 10 bar.

Adjustable downstream pressure: 0.3 to 4 bar.

Type	Part number	Size body	Box Qty
AL	0240100	1/2" MF	10


**ALM**

Like AL but with pressure gauge MR-RADIAL (50 mm dial, bottom entry, 0 - 4 bar).

Type	Part number	Size body	Box Qty
ALM	0240200	1/2" MF	10


**3110C**
**FILLMATIC**

Automatic filling valve complete with 0-6 bar pressure gauge 3112C, self-cleaning check valve, manual shut-off, sintered bronze filter. Brass CW617N body.

Max. upstream pressure: 10 bar. Adjustable downstream pressure: 0.3 to 4 bar.

Set pressure: 1 bar. Setting ratio: 1 rev. = 0.4 m w.g.

Type	Part number	Size body	Box Qty
3110C	3110C12	1/2" MF	1


**CA9C FILLING KIT**

Combined filling and backflow preventer unit for boilers up to 45kW.

Backflow preventer CA9C. Fillmatic filling valve. Two ball valves and Y type strainer.

Connections 1/2" BSP Female.

Type	Part number	Size body	Box Qty
CA9C3110C	M11801	1/2"	1

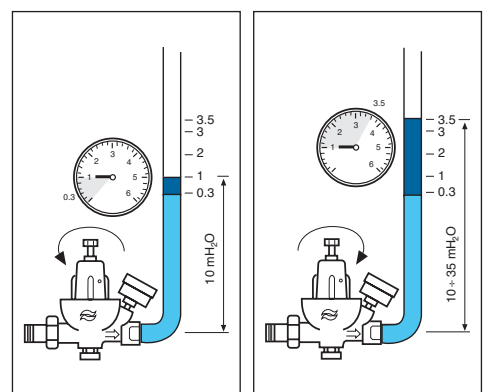
**Filling valves**
**Pressure setting**

The filling valve is factory set at a pressure of 1 bar.

To adjust for pressures other than the factory setting, merely turn the screw clockwise to increase the pressure (max. 4 bar) or anti-clockwise to decrease it (min. 0.3 bar).

**Installation**

Install the valve according to the direction of the arrow stamped on the valve body. For quicker filling, make sure the regulating valve is fully open, even if it is advisable to introduce the water at a sufficiently low speed in order to avoid formation of water pockets which are difficult to expel. When filling, the device ensures that all water supplied from the mains is filtered.



DIFFERENTIAL BY-PASS VALVES

8



**466 DIFFERENTIAL BY-PASS VALVES**

THERMATIC.

Relief valve for systems with automatic or manual shut-off elements on the radiators (thermostatic valves, two-way zone valves). Brass CW617N body and ABS cap. Nominal pressure: NP 10. Overpressure: 10 - 15%. Max. operating temperature: 110°C.

Type	Part number	Size body	bar	Box Qty
466	4660C12	1/2" FF	0,05 - 0,7	1
466	4661C34	3/4" FF	0,05 - 0,7	1
466	4662C1	1" FF	0,05 - 0,7	1

C



**USVR DIFFERENTIAL BY-PASS VALVES**

Relief valve for systems with automatic or manual shut-off elements on the radiators (thermostatic valves, two-way zone valves). End connections female inlet by male union outlet also available with 22mm compression ends.

Body and cap of brass CW617N.

Adjustment: Position "0" = Fully open - Position "7" = Close to closing p = 0.5 bar

Plastic knob. Max. operating pressure: 6 bar.

Overpressure: 10 - 15%. Max. operating temperature: 110°C

Type	Part number	Size body	bar	Box Qty
USVR	0265324	22 MM Compression	0,03 - 050	1
USVR	0265220	3/4" FM	0,03 - 0,50	1
USVR	0265225	1" FM	0,03 - 0,55	1
USVR	0265232	1.1/4" FM	0,06 - 0,46	1



**RDF**

Check valve with manual stop for systems with thermostat-controlled recirculating pump. Brass CW617N body. High impact plastic knob. Max. pressure: 10 bar.

Opening pressure: 25 - 26 mbar. Operating temperature: 105°C. Max. temperature: 130°C.

Type	Part number	Size body	Box Qty
RDF	0262125	1" FF	1
RDF	0262132	1.1/4" FF	1
RDF	0262140	1.1/2" FF	1

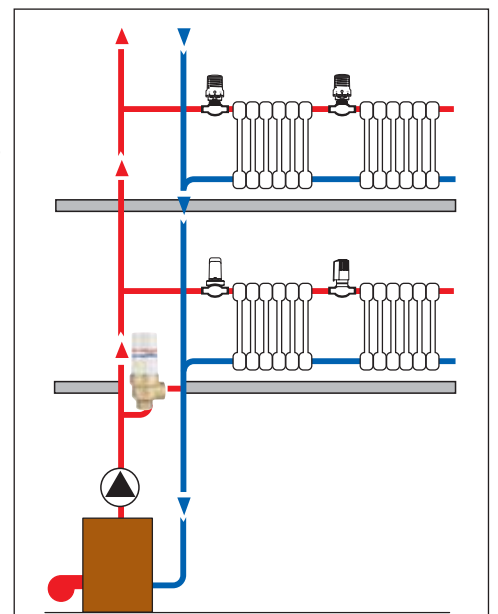
**Filling valves**

**Selection**

Valve selection is normally based on a by-pass flow rate equal to 25-30% of the total flow rate of the mains water to be protected and at an overpressure of 10-15% of the head expected at that point (check curve of the motor-driven pump if necessary).

**Installation**

Install the relief valve downstream to the pump pressure port, connecting the delivery piping to the return piping. Observe the direction of flow indicated on the valve body.





## FLOW AND PRESSURE SWITCHES


**FLU25**

Flow switch for piping ND 1" to ND 8". Aluminium body. Brass pipe fitting. 3-contact microswitch: 20 (8) A-250V. Max. fluid operating pressure: 10 bar. Max. fluid operating temperature: 110°C. Max. room temperature: 60°C.

**According to Body R Dossier 2.C.6. EEC 89/336, EEC 73/23.**

Type	Part number	Size body	Protection	Box Qty
FLU	0401125	1"	IP64	10
FLU	0401126	1"	IP67 (tin)	10


**FS10-C**

Flow switch for piping ND 1" to ND 6". Parts in contact with water are made from brass and beryllium copper. Max. fluid operating pressure 10 bar. Max. fluid operating temperature 150°C.

Type	Part number	Size body	Box Qty
FS10-C	EDP63061	1" BSP	1


**FS20 NEMA 4X**

Flow switch for piping ND 1" to ND 6". Can be used in humid environments. Galvanized casing protected with epoxy finish. 1/2" threaded conduit entry to accept standard vapour proof connectors. Contact rating: 20A-250V. Max. operating pressure: 10 bar. Max. operating temperature: 150°C.

**According to UL/CSA, EEC 89/336, EEC 73/23.**

Type	Part number	Size body	Protection	Box Qty
FS20	EDP63068	1" BSP	IP55	1


**DOLOMIT IGD FLOAT SWITCH**

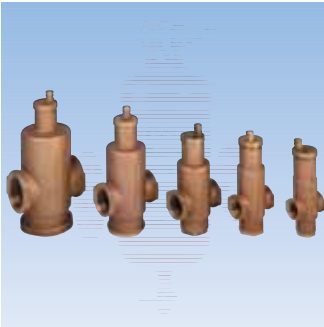
Float switch for liquid level control in tanks, wells etc. (for drinking water and grey water). Contact rating: 16(A) – 230V. Peak current 36 A. Three-pole plastic rubber cable. Protection to IP67. Max. operating temperature 85°C.

**According to EEC 89/336, EEC 73/23.**

Type	Part number	Cable Length	Box Qty
IGD5	0420450	5m	10
IGD10	0420491	10m	10
CP/NSD	0499020	Counterweight for switch	10

## AIR &amp; DIRT SEPARATORS, DOSING POTS, WATER SAMPLE COOLER

10

**POWERVENT SCREWED**

Removal of air and dirt particles from heating systems.  
Bronze body with screwed BSP Female end connections.  
Max. pressure 8 bar. Max. temperature: 115°C.

Type	Part number	Size body	Box Qty
PV075B	M15800	3/4"	1
PV100B	M15801	1"	1
PV125B	M15802	1-1/4"	1
PV150B	M15803	1-1/2"	1
PV200B	M15804	2"	1

C

**POWERVENT FLANGED**

Removal of air and dirt particles from heating systems.  
Welded steel body with flanged PN10 end connections.  
Max. pressure 10 bar. Max. temperature: 121°C.

Type	Part number	Size body	Box Qty
PV200F	M15700	50mm	1
PV250F	M15701	65mm	1
PV300F	M15702	80mm	1
PV400F	M15703	100mm	1
PV500F	M15704	125mm	1
PV600F	M15705	150mm	1
PV800F	M15706	200mm	1
PV1000F	M15707	250mm	1

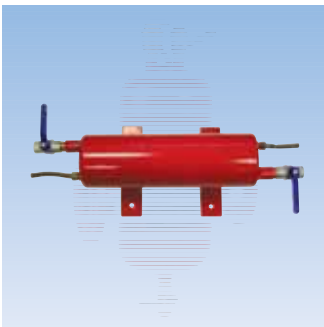
**Flanged Powervents available upon request with Removable Base.  
Contact Sales Office for details.**

**AIR & DIRT SEPARATORS, DOSING POTS, WATER SAMPLE COOLER**

**DOSING POTS**

Should be installed to add liquid chemical corrosion inhibitors into closed heating systems. Mild steel construction with brass inlet and outlet valves, drain valve, a brass filling valve with non-return valve and steel tundish. Mild steel shell to BS1387 up to and including 6 litre, schedule 20 above. Welded to BS EN287. Other sizes available on request.

Size litres	Part number	Max. Working pressure	Max. Test pressure	Box Qty
3.5	M15900	14 bar	21 bar	1
5	M15901	14 bar	21 bar	1
6	M15902	14 bar	21 bar	1
10	M15903	10 bar	15 bar	1
11	M15904	10 bar	15 bar	1
15	M15906	10 bar	15 bar	1
18	M15907	10 bar	15 bar	1
20	M15908	10 bar	15 bar	1
25	M15909	8 bar	12 bar	1


**WATER SAMPLE COOLER**

Should be installed whenever it is necessary to obtain a sample of water from a system where the operating temperature exceeds 60°C i.e. steam boilers, steam and condensate mains, closed heating circuits and water systems. The Health & Safety Act 1974 requires employers to provide a safe method of sampling water in boiler plants.

Two versions are available, with a copper coil for general use and one with a stainless steel coil to comply with any fluids that are incompatible with copper. Fixed or removable coils are available.

Mild steel outer shell to BS1387. Welded to BS EN287.

10mm Copper coil Table Y 0.8mm wall thickness.

Suitable for pressures up to and including 16 bar at 202°C.

10mm Stainless steel coil Type 316 1.00mm wall thickness annealed condition.

Suitable for pressures up to and including 139 bar at 336°C.

Max. working pressure for shell 14 bar.

Coolant inlet and outlet 1/2" BSP.

Sample flow controlled by 3/8" valve. Cooling water controlled by 1/2" valve.

Flange assembly on removable coil PN16 rated.

Type	Part number	Size body	Box Qty
WSC	M15930	3/4"	1
WSC	M15931	1"	1
WSC	M15932	1-1/4"	1
WSC	M15933	1-1/2"	1
WSC	M15934	2"	1

THERMOMETERS, PRESSURE GAUGE, METERING PIPES AND ACCESSORIES



**MA-AXIAL**

Pressure gauge complete with reference needle. Dial diameter: 50 mm.  
1/4" M axial connection.

**According to ISPEL.**

Type	Part number	Scale	Box Qty
MA50/4	0310104	0-4 bar	10
MA50/6	0310106	0-6 bar	10
MA50/10	0310110	0-10 bar	10
MA50/16	0310116	0-16 bar	10



**MR-RADIAL**

Pressure gauge complete with reference needle. Dial diameter: 50 mm.  
1/4" M radial connection.

**According to ISPEL.**

Type	Part number	Scale	Box Qty
MR50/4	0312104	0-4 bar	10
MR50/6	0312106	0-6 bar	10
MR50/10	0312110	0-10 bar	10
MR50/16	0312116	0-16 bar	10



**TMAX**

Thermometer/pressure gauge with ABS case, complete with sheath and shut-off valve.  
Dial diameter: 80 mm. 1/2" M axial connection. Temperature scale: 0° - 120°C.

**According to ISPEL.**

Type	Part number	Scale	Box Qty
TMAX/2	0332002	0-2,5 bar	10
TMAX/4	0332004	0-4 bar	10
TMAX/6	0332006	0-6 bar	10



**TMRA**

Thermometer/pressure gauge with ABS case, complete with sheath and shut-off valve.  
Dial diameter: 80 mm. 1/2" M radial connection. Temperature scale: 0° - 120°C.

**According to ISPEL.**

Type	Part number	Scale	Box Qty
TMRA/2	0333002	0-2,5 bar	10
TMRA/4	0333004	0-4 bar	10
TMRA/6	0333006	0-6 bar	10

## THERMOMETERS, PRESSURE GAUGE, METERING PIPES AND ACCESSORIES


**MA60-AXIAL**

Pressure gauge complete with reference needle. Dial diameter: 60 mm.  
 1/4" M axial connection.

According to ISPEL.

Type	Part number	Scale	Box Qty
MA60-AXIAL	0316204	0-4 bar	10
MA60-AXIAL	0316206	0-6 bar	10
MA60-AXIAL	0316210	0-10 bar	10
MA60-AXIAL	0316216	0-16 bar	10


**MA60-RADIAL**

Pressure gauge complete with reference needle. Dial diameter: 60 mm.  
 1/4" M radial connection.

According to ISPEL.

Type	Part number	Scale	Box Qty
MA60-AXIAL	0318204	0-4 bar	10
MA60-AXIAL	0318206	0-6 bar	10
MA60-AXIAL	0318210	0-10 bar	10
MA60-AXIAL	0318216	0-16 bar	10


**TB**

Contact thermometer with bimetallic helix element.  
 Complete with steel sheet spring for holding on pipe. Black painted steel case.  
 Chrome-plated rim. Scale divisions 1°C.

Type	Part number	Scale	Face	Box Qty
TB	0308060	0-120 °C	63 mm	10


**WATER PRESSURE TEST GAUGE**

Hose connection gauge for testing water supply pressure in a building with highest pressure indicator reference needle.  
 Connection 3/4" BSP Female.

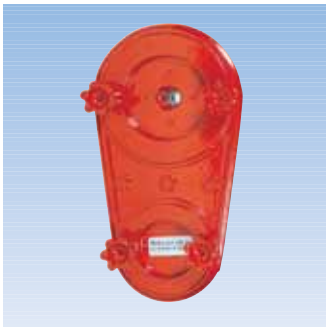
Scale	Part number	Box Qty
0 – 300 psi	EDP0069721	1


**3112C**

Spare pressure gauge, 0 to 6 bar, for FILLMATIC.

Type	Part number	Scale	Size body	Box Qty
3112C	3112C	0-6 bar	1/4"	1

**INSPECTION PLATES, THERMOMETERS AND COMPONENTS FOR CHIMNEY**



**PFT**

2-hole fume inspection plate.  
 Top hole for chimney thermometer series PC, lockable by relative ring nut. 50 mm dia.  
 bottom hole for fume sampling.  
 Easily removable fume-resistant plugs.  
 Aluminium body.

Type	Part number	Box Qty
PFT	0801100	5



**TB-63FUMI**

Chimney thermometers, easy to insert in pressure gauge holder/fume inspection plate PFT.  
 Thermometer with bimetallic helix element. Steel sheet case. Chrome-plated rim.  
 Galvanized steel stem without sheath, centre back entry.

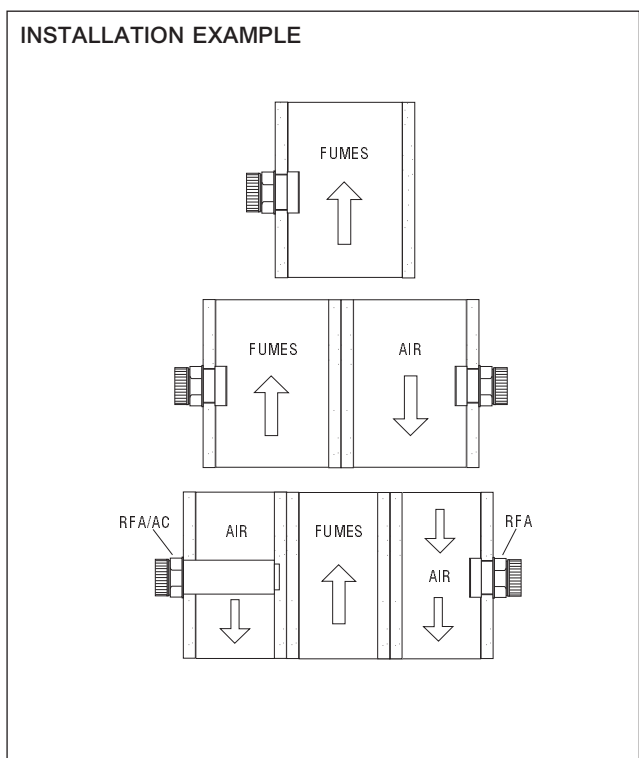
Type	Part number	Scale	Face	Dimension	Box Qty
TB-63FUMI	PT36687002	0-500 °C	63 mm	100	50
TB-63FUMI	PT37687002	0-500 °C	63 mm	150	50
TB-63FUMI	PT38687003	0-500 °C	63 mm	200	40
TB-63FUMI	PT39687003	0-500 °C	63 mm	300	20

**Samples of the combustion products - Standard UNI 10389/94**

Chap. 5.1: Samples of the combustion products should be taken for analysis at a suitable point of the chimney; in fact analysis carried out from different sample points do not yield the same results.

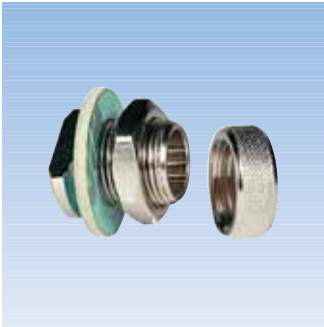
The combustion products should be taken from a hole to be drilled in the flue pipe (downstream of any draught breaker or diverter) at a distance from the boiler equal to twice the flue pipe diameter.

The presence of draught breaker (or anti-refouleur) devices dilutes and cools the combustion gases thus altering the measurement of efficiency, normally in favour of the user. If the flue pipe has an elbow within this distance, the hole should be drilled at a distance from the elbow equal to one diameter. If devices are installed for recovering heat from the fumes, samples should be taken downstream of such devices, with the same procedures.





## INSPECTION PLATES, THERMOMETERS AND COMPONENTS FOR CHIMNEY


**RFA**

Sample fitting for withdrawing burnt gases of boilers from the discharge pipes, essential for checking combustion efficiency.

Can be used for any type of analyzer prescribed by UNI10389/94.

Chrome-plated body and nuts. Fasin seal. Chrome-plated brass plug with silicone seal.

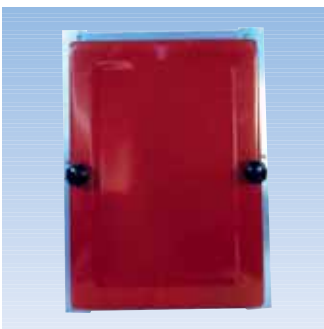
Analyzer probe bore: dia. 10.2 mm.

Type	Part number	Box Qty
RFA	0804001	100


**RFAC**

Like RFA, but for coaxial pipe, with nipples for sampling discharge fumes.

Type	Part number	Box Qty
RFAC	0804002	100


**SC**

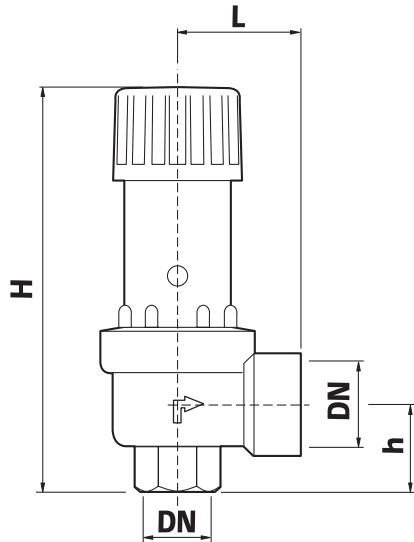
Chimney inspection door of painted steel construction.

**According to Italian D.P.R. 1391, 22/12/1970.**

Type	Part number	Dimension	Box Qty
SC	0803100	200 x 300 x 25	10
SC	0803200	300 x 400 x 70	10

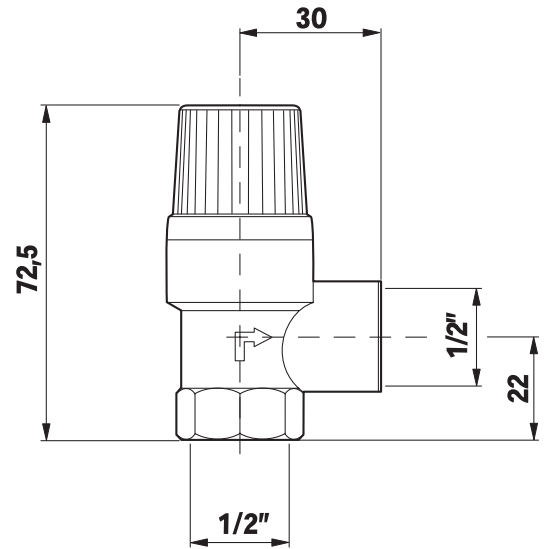
CHAPTER C

VST

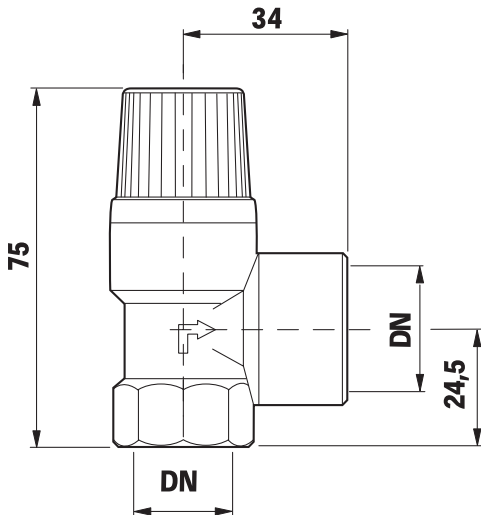


ND	L	H	h
1/2" x 3/4"	37	119	25
3/4" x 1"	48	165	29
1" x 1.1/4"	54	173	34.5

MSL/MSV

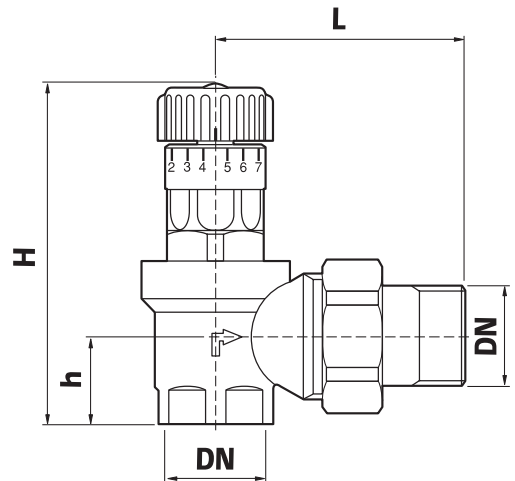


SV



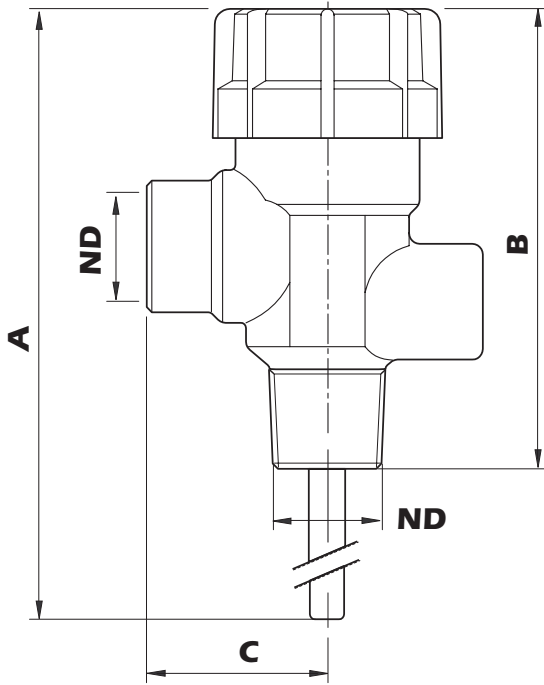
ND	L	H	h
1/2" x 3/4"	34	75	24.5
3/4" x 1"	37	86.5	34
1" x 1.1/4"	55	189	40
1" x 1.1/4"	60	204	43

USVR



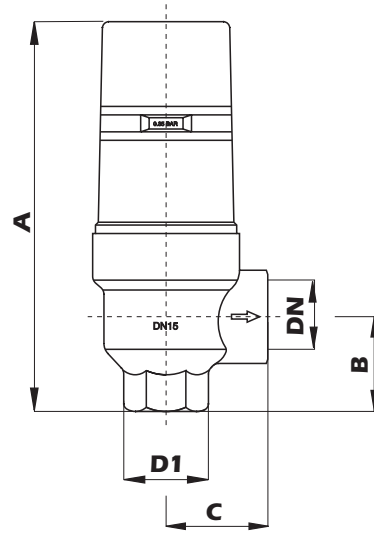
ND	L	H	h
3/4"	62.5	88	23
3/4"	70	120	26
1"	83.5	138	33
1.1/4"	100	148	39

**PT**



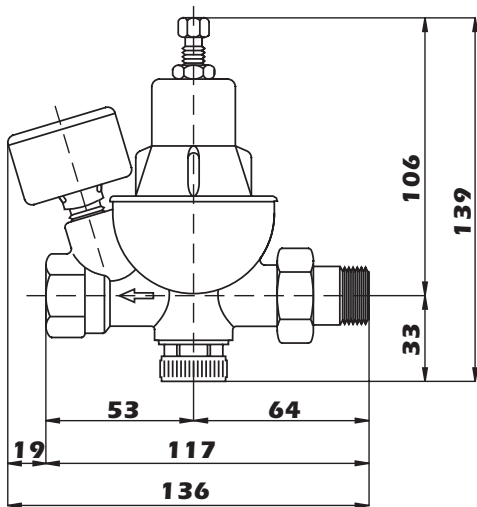
ND	A	B	C
3/4"	172	90	36

**466**

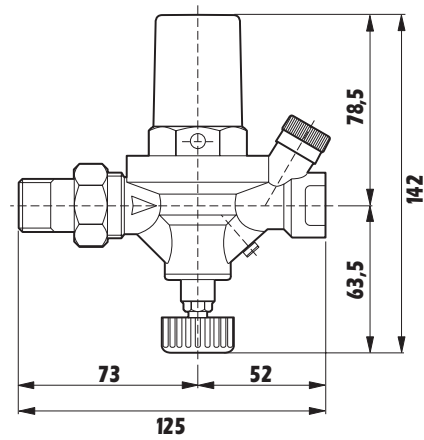


ND	A	B	C
1/2"x1/2"	135	32	36
3/4"x1"	141	35	41
1"x1.1/4"	195	41	46

**3110C**

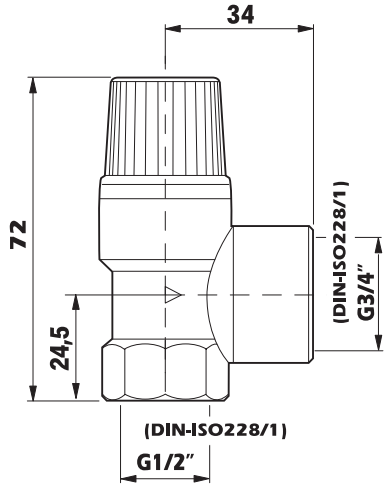


**AL-ALM-ALOM**

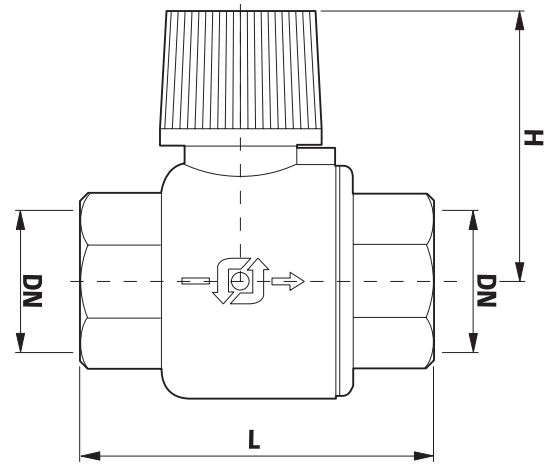


CHAPTER C

SVE/SOL

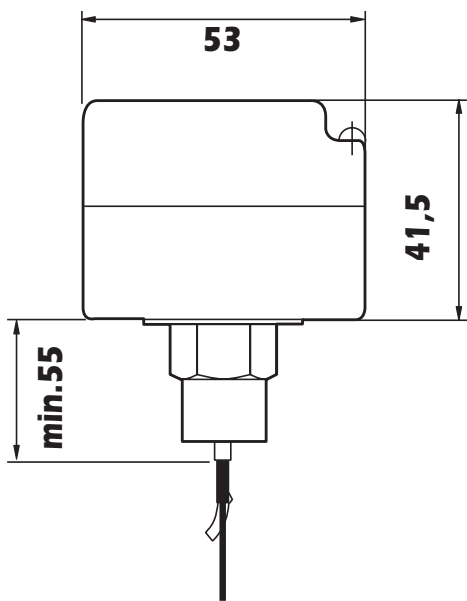


RDF

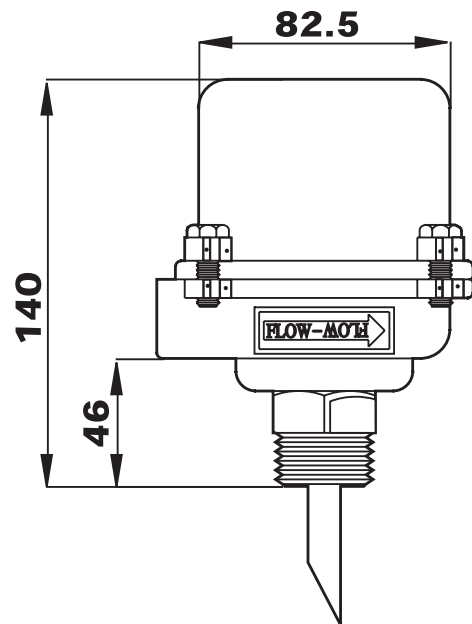


ND	L	H
1"	83.5	59
1.1/4"	83.5	59
1.1/2"	116.5	67

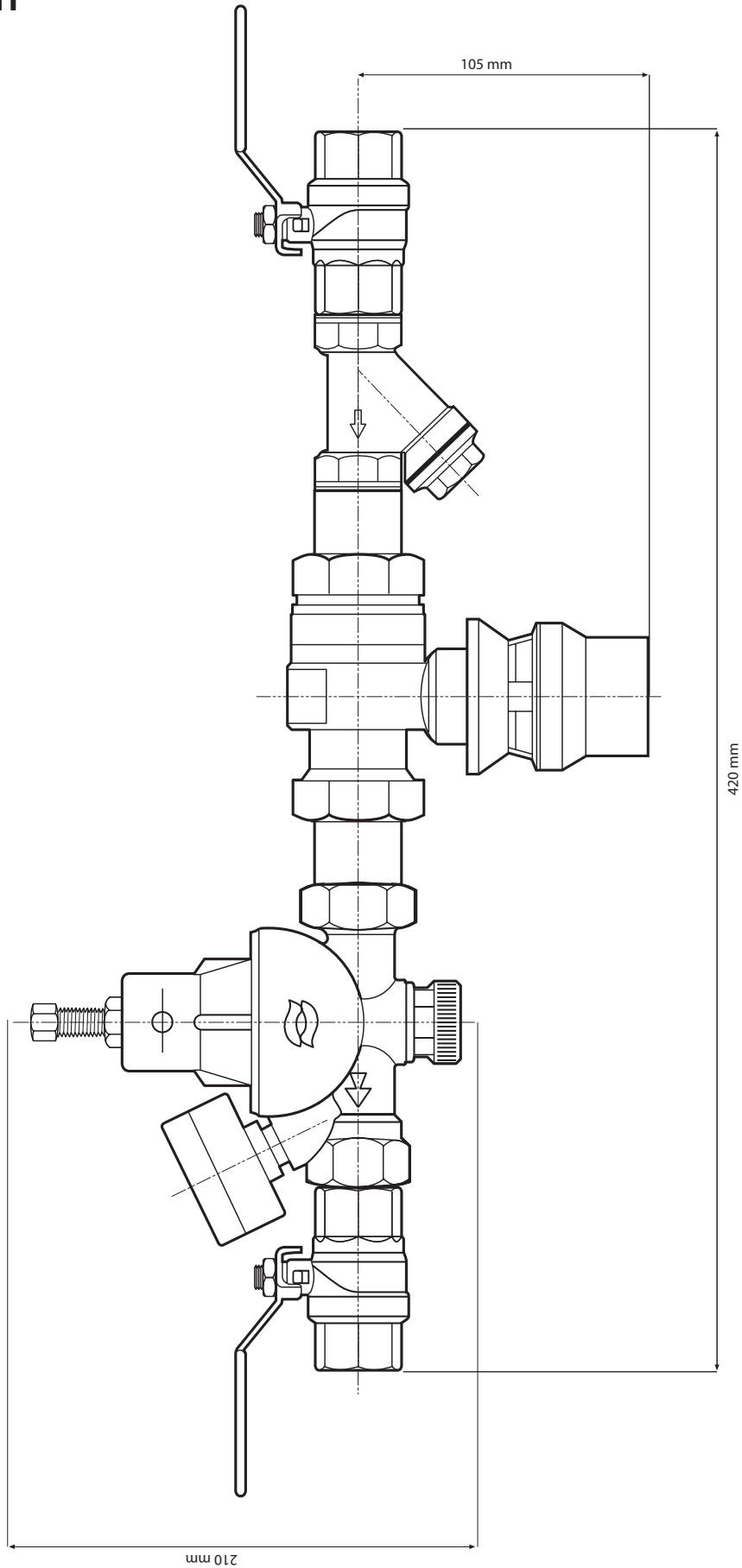
FLU



FS25



**CA9C FILLING KIT**





**Watts Industries Ltd**

Grosvenor Business Park, Evesham, Worcestershire, WR11 1GA, England

Phone +44 (0) 1386 446997 - Fax +44 (0) 1386 41923

Email [wattsuk@aol.com](mailto:wattsuk@aol.com) - [www.wattsindustries.com](http://www.wattsindustries.com)