

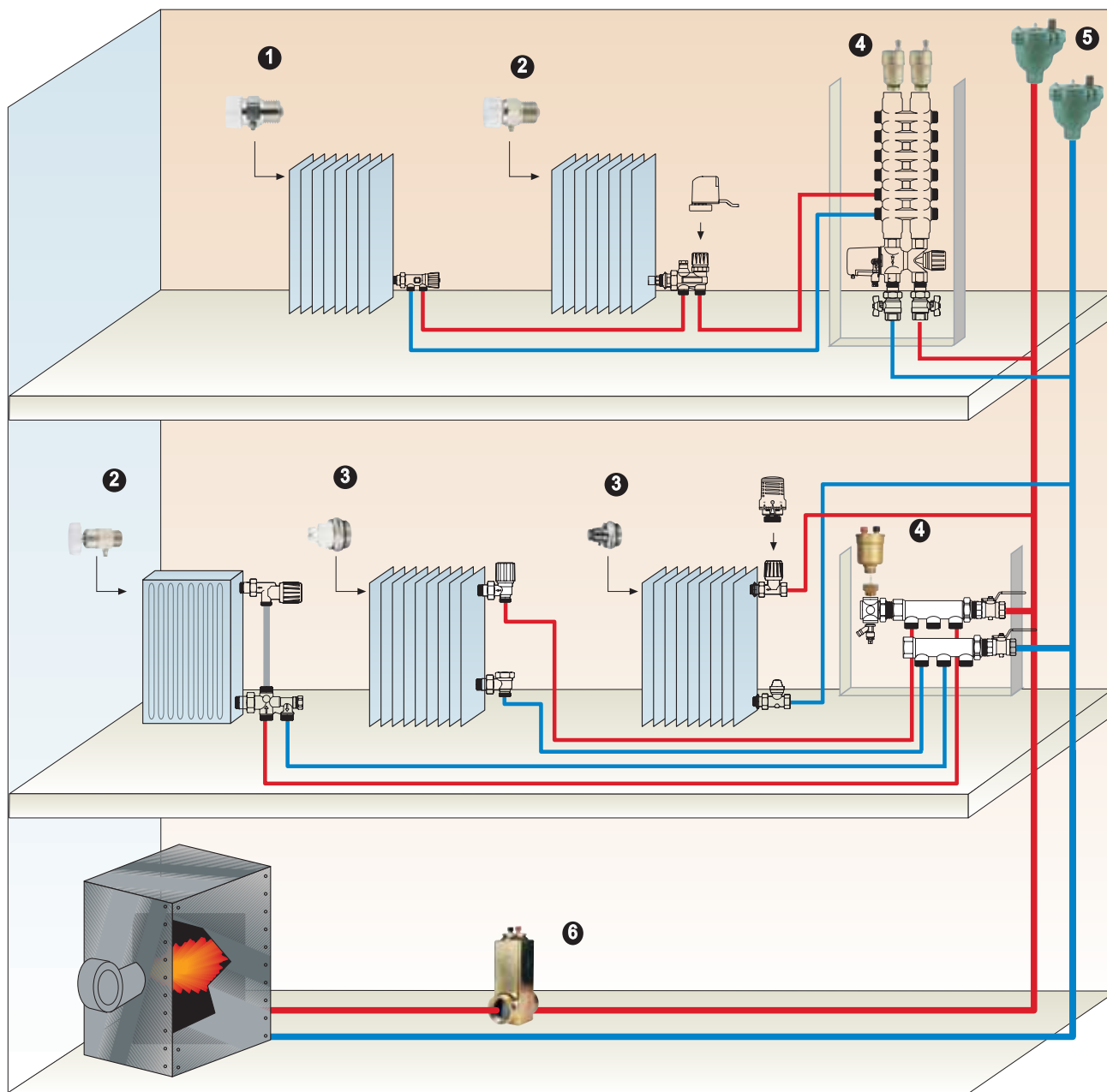
Section - B

# Air vents



**WATTS**<sup>®</sup>  
INDUSTRIES  
Technology by nature

EXAMPLE OF APPLICATION



- 1 Automatic air vent valves.
- 2 Manual air vent valves.
- 3 Air vent valves with adjustable discharge nozzle.
- 4 Air vents with float..
- 5 Automatic large capacity air separator.
- 6 Automatic deaerators.

**AUTOMATIC, MANUAL AND WITH ADJUSTABLE DISCHARGE AIR VENT VALVES**



**228C**

**HYGROVENT**

**Automatic** air vent valve, with check device and discharge nozzle.  
Chrome-plated brass body CW617N. Max. pressure: 6 bar.

Type	Part number	Size body	Box Qty
228C	2280C18X	1/8"	100
228C	2281C14X	1/4"	100
228C	2282C38X	3/8"	100



**SMC**

Manual deaerating valve for radiators. Adjustable discharge spout opened by screwdriver or coin. Complete with "O"ring.  
Chrome-plated brass body CW6179N. Max. pressure: 10 bar

Type	Part number	Size body	Box Qty
SMC	0257006	1/8"	100
SMC	0257008	1/4"	100
SMC	0257010	3/8"	100
SMC	0257015	1/2"	100



**238C**

Manual air vent valve, with discharge nozzle.  
Chrome-plated brass body CW617N.  
Max. pressure: 10 bar.

Type	Part number	Size body	Box Qty
238C	2381C18X	1/8"	100
238C	2382C14X	1/4"	100
238C	2383C38X	3/8"	100



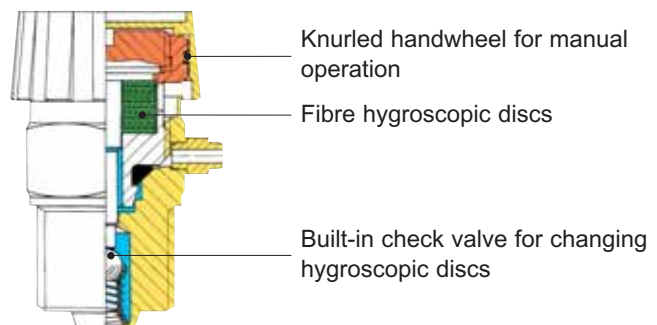
**231C**

"Super" manual air vent valve, with discharge nozzle.  
Chrome-plated brass body CW617N.  
Max. pressure: 10 bar.

Type	Part number	Size body	Box Qty
231C	231C18SNX	1/8"	100
231C	231C14SNX	1/4"	100
231C	231C38SNX	3/8"	100

**Hygrovent**

When the hygroscopic discs change from the moist state to the dry state, they decrease in volume thereby allowing automatic discharge of the air present



AUTOMATIC, MANUAL AND WITH ADJUSTABLE DISCHARGE AIR VENT VALVES

4

B



**VMM**

Manual air vent valve for radiators, with **adjustable discharge** nozzle. Manual discharge opening through screw driver, coin. Chrome-plated brass body CW617N. Glass fibre reinforced nylon handwheel and discharge nozzle body.  
**Sealed on radiator through O-ring.** Max. operating pressure: 10 bar.

Type	Part number	Size body	Box Qty
VMM	0256206	1/8"	100
VMM	0256208	1/4"	100
VMM	0256210	3/8"	100



**PMC**

Manual air vent valve for radiators, with **adjustable discharge** nozzle. Manual vent opening through screw driver, coin. Chrome-plated brass body CW617N. Glass fibre reinforced nylon discharge nozzle. **Sealed on radiator through O-ring.** Max. pressure : 10

Type	Part number	Size body	Box Qty
PMC	0256306	1/8"	100
PMC	0256308	1/4"	100
PMC	0256310	3/8"	100
PMC	0256315	1/2"	100



**RSR**

Drain valve for radiators. Chrome-plated brass body. Adjustable plastic discharge nozzle. Sealed on radiator through O-ring.

Type	Part number	Size body	Box Qty
RSR	0256008	1/4"	100
RSR	0256010	3/8"	100
RSR	0256015	1/2"	100



**SMM**

Manual air vent valve for radiators, with **adjustable discharge** nozzle. Knurled handwheel. Chrome-plated brass CW617N body and discharge nozzle. **Sealed on radiator through O-ring.** Max. pressure : 10 bar.

Type	Part number	Size body	Box Qty
SMM	0257106	1/8"	100
SMM	0257108	1/4"	100
SMM	0257110	3/8"	100
SMM	0257115	1/2"	100

**Manual air vent valve**

**VMM**

Inlet hole smaller than the outlet hole to avoid infiltration of particles which could block air discharge.

O-ring for easy assembly and perfectly tight seal on the radiator.



Handwheel designed for manual opening with screw-driver or coin. Limit stop on the screw to avoid the handwheel coming out from the valve body.

Adjustable discharge nozzle, glass fibre reinforced nylon body.

**PMC**

Valve handwheel PMC with opening by screw-driver or coin.



**CH**

Insert for adjusting discharge nozzle body. Wrench CH can be left inserted on the body.



Insert for opening valves PMC, RSR

insert for opening valve VMM



**AIR VENTS WITH FLOAT**



**MVDR**

**DUOVENT (PATENTED)**

Automatic and manual air vent valve with unscrewable cover for inspection complete with automatic shut-off valve RIA.

Body and cover of brass CW617N. Corrosion-resistant polyethylene float.

Nominal pressure : 12 bar. Max. operating pressure: 8 bar.

Max. temperature : 115° C. Automatic venting capacity at 3 bar : 17.9 litres/min.

Manual venting capacity at 3 bar : 139.5 litres/min.

Also suitable for water containing additive (glycol up to 30%).

Type	Part number	Size body	Box Qty
MVDR	0250708	1/4"	10
MVDR	0250710	3/8"	10
MVDR	0250715	1/2"	10

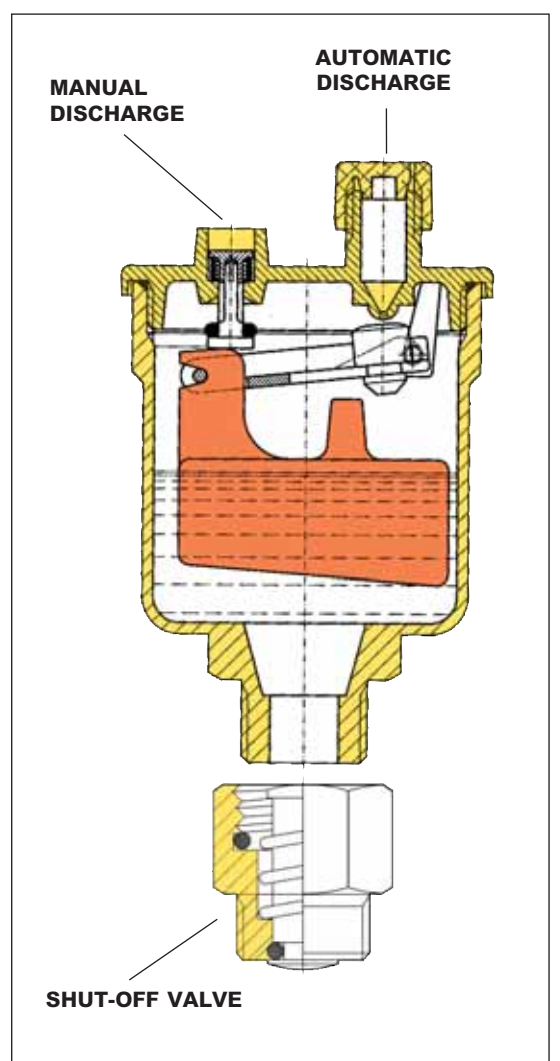
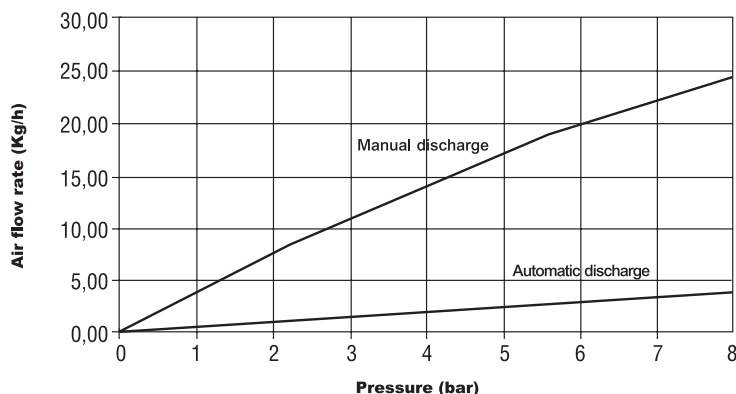
**Advantage of built-in manual discharge**

The ever increasing use of the horizontal Modul or Single-pipe distribution systems has led to the engineering of networks with small diameter piping, without slopes and with closed circuits, thus requiring the development of a special product line for venting air from the circuits. Compared to the conventional automatic operation with float determined by the water level in the heating system, the **DUOVENT** air vent valve offers the advantage of manual discharge which allows checking for correct operation and cleaning of the automatic discharge orifice as well as reducing emptying times.

For manual discharge, unscrew the red cap and push the disc down with a screw driver. When held down, it allows the water to flow through the orifice.

The presence of the shut-off valve allows maintenance operations without emptying the system.

**Automatic and manual vent at the various pressures**



AIR VENTS WITH FLOAT



**MVR**

**MINIVENT**

Automatic air vent valve complete with automatic sealed shut-off valve RIA with unscrewable cover for inspection.

Body and cover of brass CW617N. Corrosion-resistant polyethylene float.

Max. pressure : 12 bar. Max. temperature : 115° C.

Also suitable for water containing additive (glycol up to 30%)

Type	Part number	Size body	Box Qty
MVR	0250108	1/4"	10
MVR	0250110	3/8"	10
MVR	0250115	1/2"	10



**MKVR**

**MICROVENT**

Automatic vertical air vent valve complete with automatic sealed shut-off valve RIA.

Body and cover of brass CW617N. Sealed with O-Ring

Max. pressure : 10 bar. Max. temperature : 110° C.

Also suitable for water containing additive (glycol up to 30%)

Type	Part number	Size body	Box Qty
MKVR	0251310	3/8"	10



**MKLR**

**MICROVENT**

Automatic side air vent valve complete with automatic sealed shut-off valve RIA.

Body and cover of brass CW617N. Sealed with O-Ring

Max. pressure : 10 bar. Max. temperature : 110° C.

Also suitable for water containing additive (glycol up to 30%).

Type	Part number	Size body	Box Qty
MKLR	0252310	3/8"	10
MKL	0252410	1/2"	10



**INTR**

**INTERVENT.**

Automatic vertical air vent valve complete with automatic shut-off valve RIA

Body and cover of brass CW617N

Max. pressure : 10 bar. Max. temperature : 115° C

Type	Part number	Size body	Box Qty
INT	0252110	3/8"	10
INT	0252115	1/2"	10

**AIR VENTS WITH FLOAT**

**FOR SOLAR SYSTEMS**
**MV-SOL**
**MINIVENT**

Automatic air vent valve for solar systems with unscrewable cover for inspection.

Body and cover of brass CW617N, 1265-99. Polyethylene float.

Seal between reservoir and cover with O-ring. Connection ND 3/8" - 1/2" DIN - ISO 228/1

Stainless steel (AISI 304) vacuum breaker (only for ND 3/8")

Max. operating pressure : 12 bar. Max. operating temperature : 160 °C.

Type	Part number	Size body	Box Qty
MV-SOL	0249110	3/8"	10
MV-SOL	0249115	1/2"	10


**2161C**
**FLOATVENT.**

Automatic vertical air vent valve. Sealed with O-ring.

Designed for installation on head connections of flush manifolds.

Brass CW617N body. Max. pressure: 10 bar. Max. temperature: 110°C

Type	Part number	Size body	Box Qty
2161C	2161C38	3/8"	50
2161C	2161C12	1/2"	50
2161C	2161C34	3/4"	50
2161C	2161C1	1"	50


**2311C**
**CHECKVENT.**

Sealed check valve for automatic vertical air vent valve 2161C38.

Type	Part number	Size body	Box Qty
2311C	2311C38	3/8"	50


**RIA**

Automatic shut-off valve for automatic air vent valves series MVD, MV, MKV, MKL.

Complete with device for quick and total drainage of water from the valve.

Type	Part number	Size body	Box Qty
RIA	0259008	1/4"	10
RIA	0259010	3/8"	10
RIA	0259015	1/2"	10


**MOV173**
**SUPERVENT.**

Automatic high capacity commercial air vent with screwable cover for inspection.

Incorporates an automatic check valve to isolate water for maintenance.

Body and cover of brass.

Max. pressure 10 bar. Max temperature: 115°C

Type	Part number	Size body	Box Qty
MOV173	M16300	3/8"	1

AIR SEPARATORS

8

B



**MXV**

MAXIVENT.  
Automatic large capacity deaerator provided with manual air vent valve.  
Cast iron body and cover with epoxy finish. Max. operating pressure : 12 bar.  
Max. operating temperature : 115° C. Female air outlet connection : 3/8".

Type	Part number	Size body	Box Qty
MXV	0253020	3/4"	1
MXV	0253025	1"	1
MXV	0253032	1.1/4"	1



**ERD**

EUROVENT  
Automatic /manual double deaerator with expansion vessel. Tropicalized sheet steel body.  
Brass OT58 body. Max. pressure : 8 bar. Max. temperature : 115° C

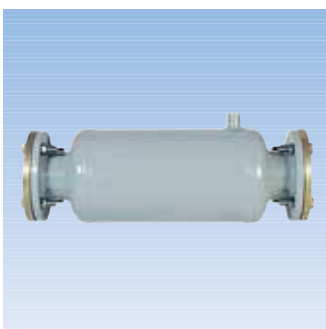
Type	Part number	Size body	Box Qty
ERD	0253625	1"	1
ERD	0253640	1.1/2"	1



**SA**

Air separator with 5 threaded instrument connections.  
Painted malleable cast iron body (ND 3/8" to 1/2").  
Female threaded connections.

Type	Part number	Size body	Box Qty
SA	0260125	1"	1
SA	0260132	1.1/4"	1
SA	0260140	1.1/2"	1
SA	0260150	2"	1
SA	0260165	2.1/2"	1
SA	0260180	3"	1



**SAF**

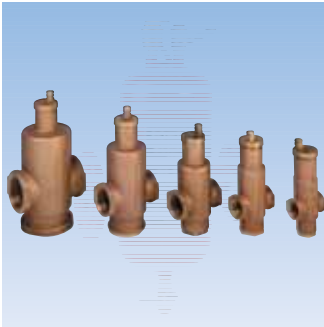
Flanged air separator. Complete with female connection  
(3/4" for SAF ND 100 and 1" for SAF DIN 125) for installation of automatic deaerator MXV.  
Complete with counterflange, bolts and seals.

Type	Part number	Size body	Box Qty
SAF	0260200	100	1
SAF	0260225	125	1
SAF	0260300	200	1



**AIR AND DIRT SEPARATORS**

**WATER DRAIN VALVES**



**POWERVENT SCREWED**

Removal of air and dirt particles from heating systems  
Bronze body with screwed BSP Female end connections  
Max. pressure 8 bar. Max. temperature: 115° C

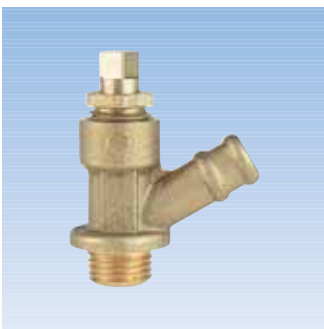
Type	Part number	Size body	Box Qty
PV075B	M15800	3/4"	1
PV100B	M15801	1"	1
PV125B	M15802	1-1/4"	1
PV150B	M15803	1-1/2"	1
PV200B	M15804	2"	1



**POWERVENT FLANGED**

Removal of air and dirt particles from heating systems  
Welded steel body with flanged PN10 end connections  
Max. pressure 10 bar. Max. temperature: 121° C

Type	Part number	Size body	Box Qty
PV200F	M15700	50mm	1
PV250F	M15701	65mm	1
PV300F	M15702	80mm	1
PV400F	M15703	100mm	1
PV500F	M15704	125mm	1
PV600F	M15705	150mm	1
PV800F	M15706	200mm	1
PV1000F	M15707	250mm	1



**238**

Drain valve with stuffing box and hose fitting.

Type	Part number	Size body	Box Qty
238	23814	1/4"	10
238	23838	3/8"	10



**DRAIN COCKS**

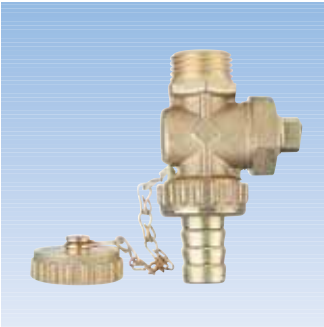
Drain cocks with hose fittings

Type	Part number	Size body	Box Qty
238	MO16902	1/2"	1
238	MO16903	3/4"	1
238LS	MO16904	1/2"	1
238CAPILLARY	MO16905	15mm"	1

WATER DRAIN VALVES

10

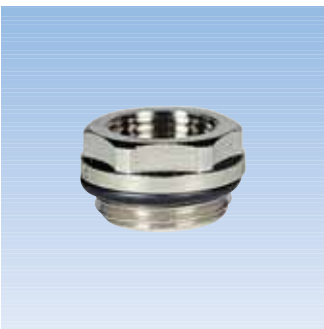
B



**290**

Drain valve for boilers, with hose fitting, plug and chain.

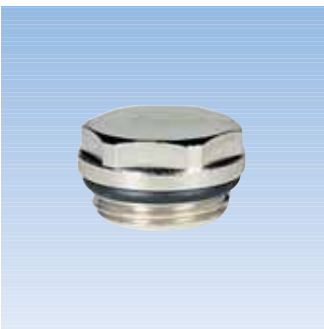
Type	Part number	Size body	Box Qty
290	29038	3/8"	10
290	29012	1/2"	10
290	29034	3/4"	10



**RSM**

Adapter for radiators. Chrome-plated brass body. Sealed on radiator through O-ring.

Type	Part number	Size body	Box Qty
RSM	0258015	1/2" M x 3/8" F	100

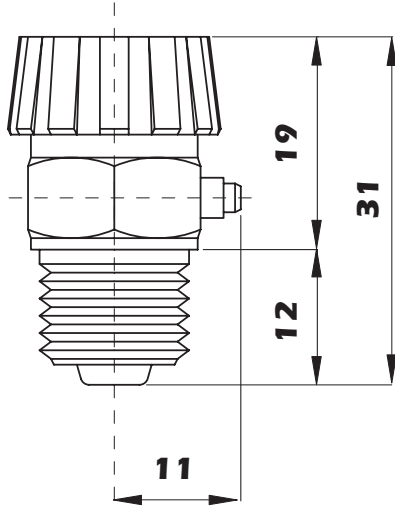


**TSM**

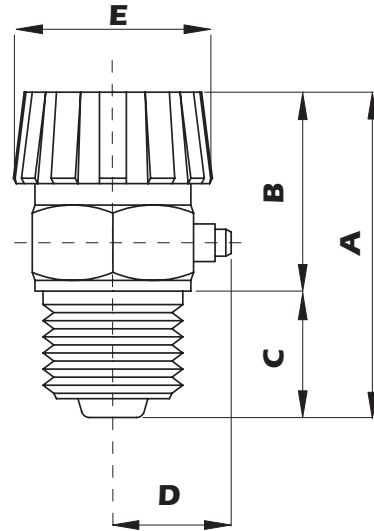
Closing plug for radiators. Chrome-plated brass body. Sealed on radiator through O-ring.

Type	Part number	Size body	Box Qty
TSM	0258115	1/2" M	100

**228C**

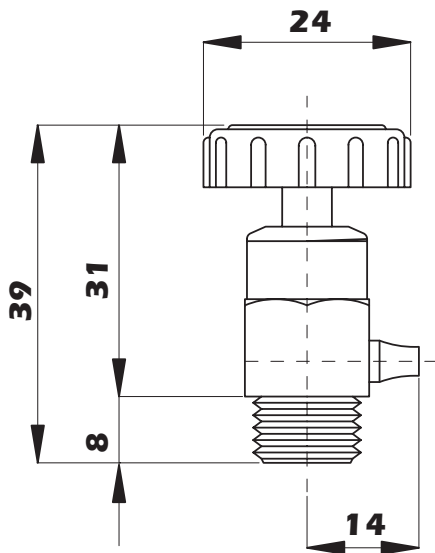


**238C**

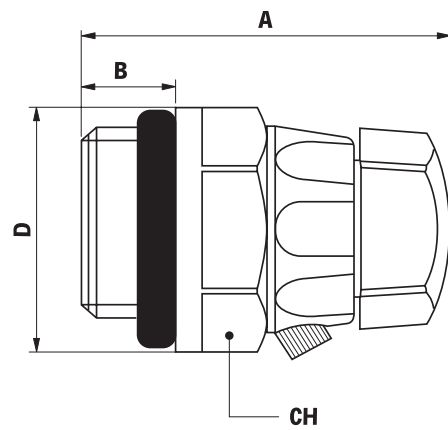


ND	A	B	C	D	E
1/8"	29	17	12	11	17
1/4"	29	17	12	11	17
3/8"	29	19	10	11	17

**231C**



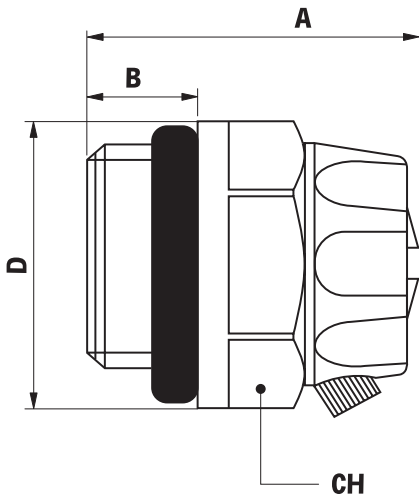
**VMM**



ND	A	B	CH
1/8"	24	5.5	14
1/4"	24	6	14
3/8"	26	7	17

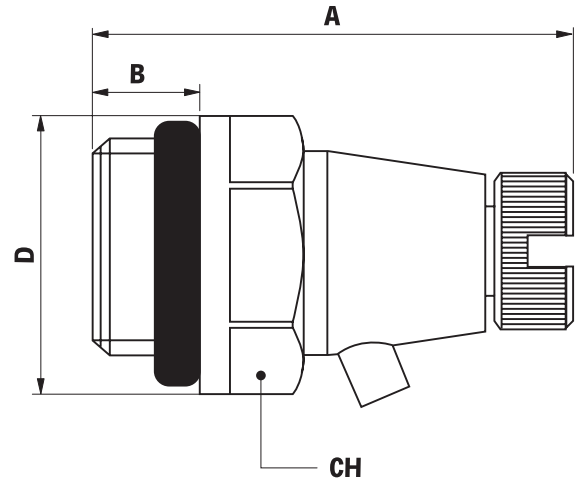
CHAPTER B

PMC



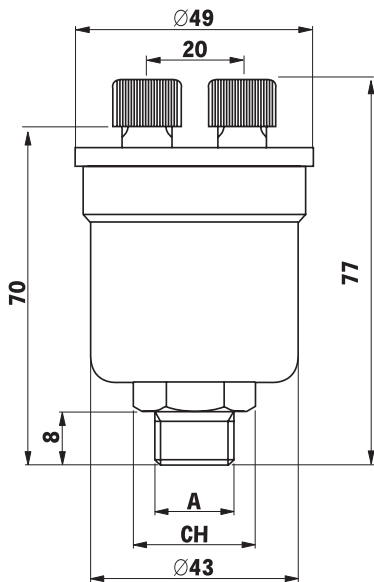
ND	A	B	D	CH
1/8"	18	5.5	16	14
1/4"	18	5.5	16	14
3/8"	20	6	20	17
1/2"	22	7	24	22

SMM



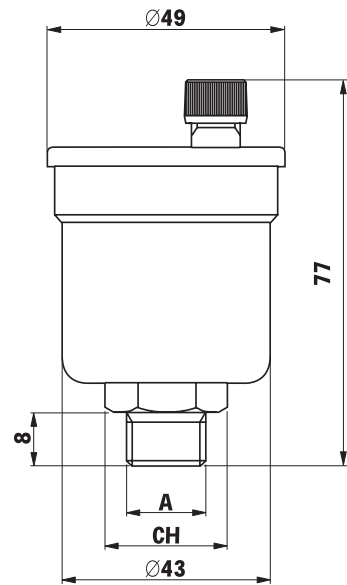
ND	A	B	D	CH
1/8"	26	5.5	16	14
1/4"	26	6	16	14
3/8"	28	6.54	21	19
1/2"	28	7.3	25	22

MVD



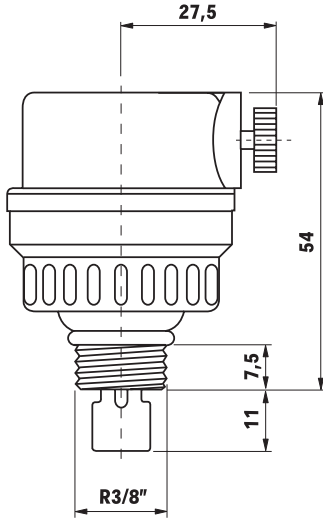
ND	CH
1/4"	19
3/8"	19
1/2"	22

MV

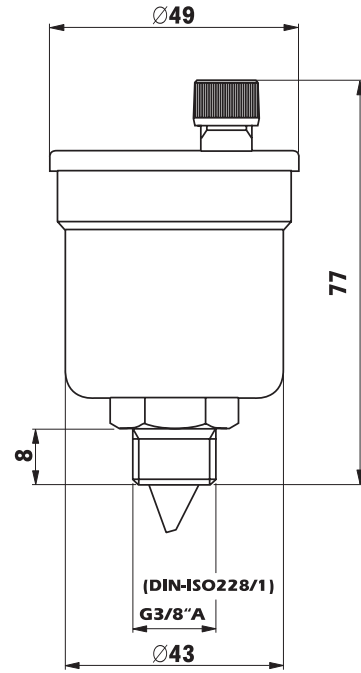


ND	CH
1/4"	19
3/8"	19
1/2"	22

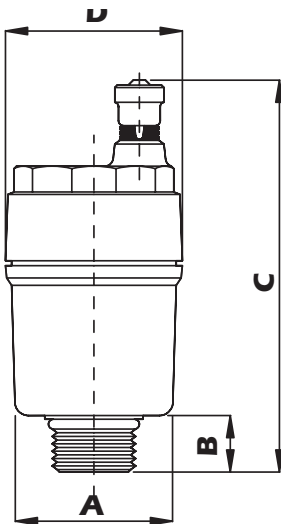
**MKL**



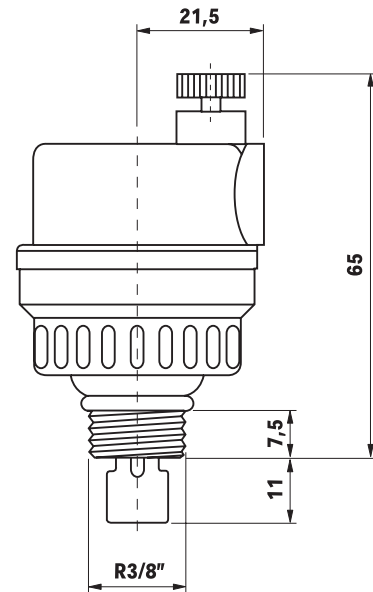
**MV-SOL**



**2161C**



**MKV**

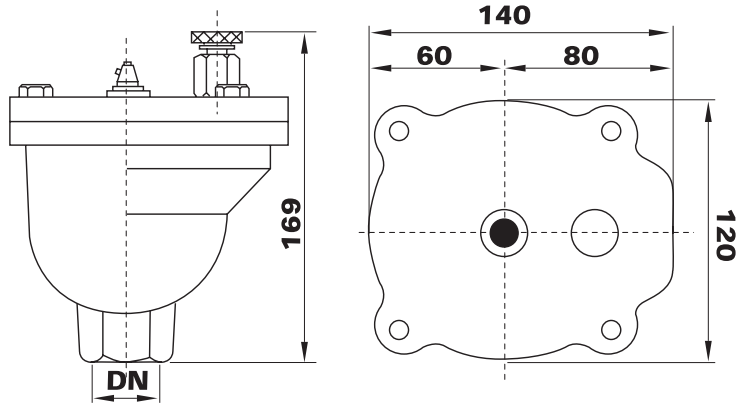
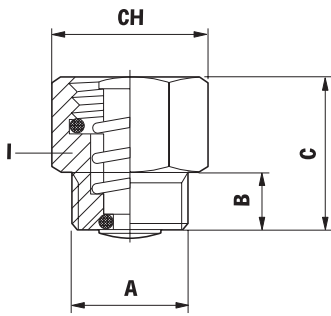


ND	A	B	C	D
3/8"	30	10	77	36
1/2"	30	10	77	36
3/4"	32	12	79	36
1"	37	12	79	36

CHAPTER B

RIA

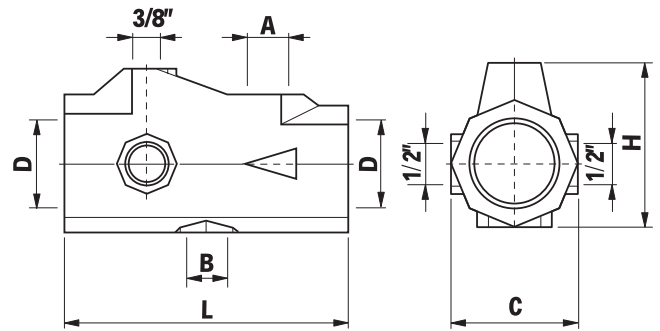
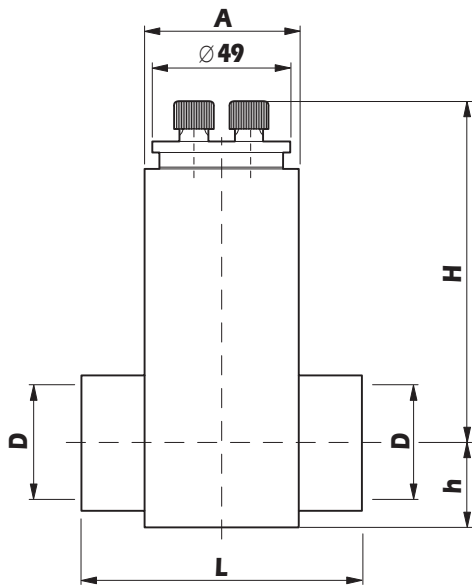
MXV - 3/4" - 1" - 1.1/4"



ND	B	C	CH
1/4"	8	11	19
3/8"	8	11	19
1/2"	8	11	24

ERD

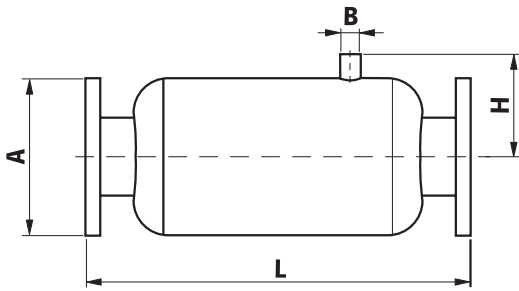
SA



ND	A	L	H	h
1"	60x50	94	153	26
1.1/2"	60x60	104	191	32

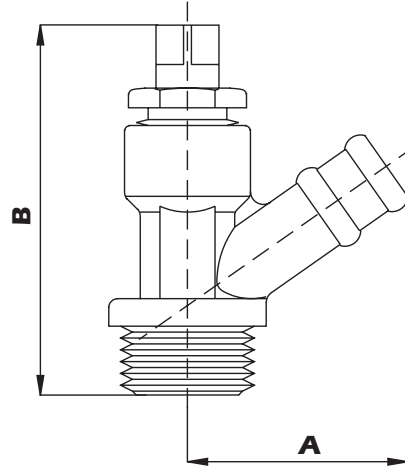
ND	A	B	C	L	H
1"	1/2"	3/4"	70	152	87
1.1/4"	1/2"	3/4"	70	152	87
1.1/2"	1/2"	3/4"	70	152	87
2"	3/4"	1"	87	189	115
1.1/2"	1"	1"	128	300	203
3"	1"	1"	128	300	203

**SAF**



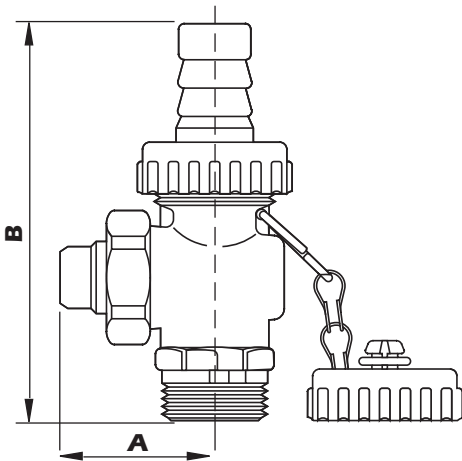
ND	A	B	L	H
100	PN6	3/4"	600	156
125	PN10	1"	700	168
200	PN10	1"	800	

**238**



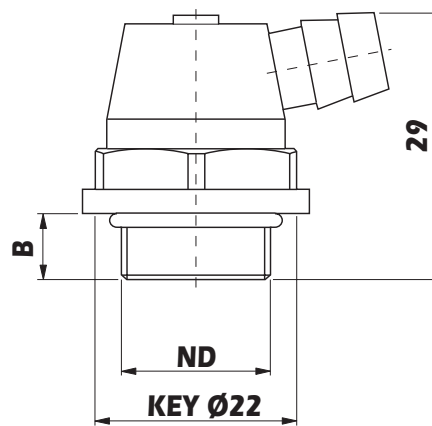
ND	A	B
1/4"	28	47
3/8"	28	47

**290**



ND	A	B
1/8"	25	60
1/2"	30	75
3/4"	40	90

**RSR**



ND	B
1/4"	6
3/8"	7
1/2"	7



**Watts Industries UK Ltd**

Grosvenor Business Park, Evesham, Worcestershire, WR11 1GA, England

Phone +44 (0) 1386 446997 - Fax +44 (0) 1386 41923

Email [sales@wattsindustries.co.uk](mailto:sales@wattsindustries.co.uk) - [www.wattsindustries.com](http://www.wattsindustries.com)