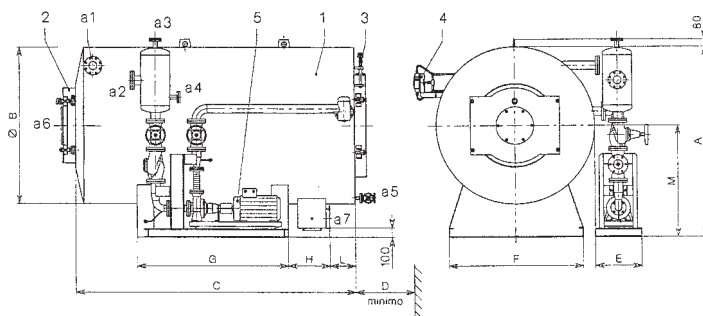
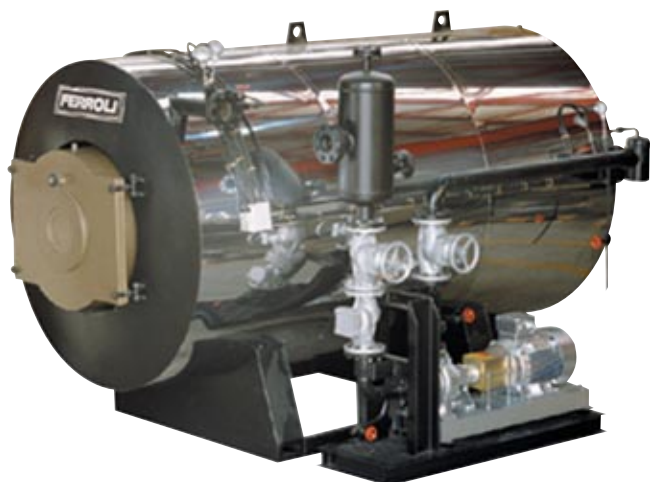


ELICOIL FO

DIATHERMIC OIL BOILER - WORKING PRESSURE 8 bar



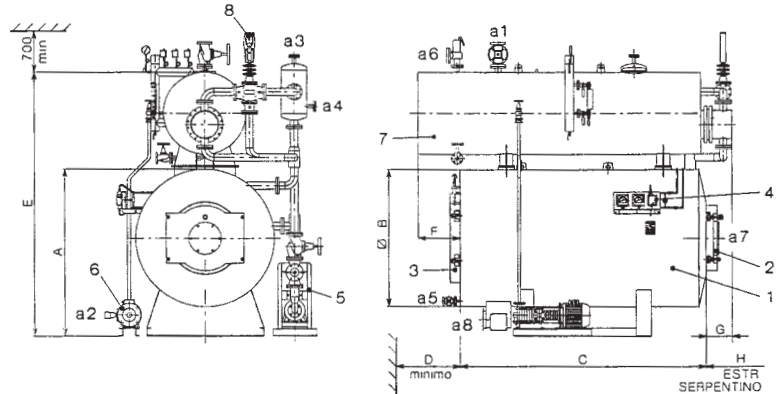
Key

1 Boiler body 2 Front cleaning port 3 Rear cleaning port 4 Control panel 5 Pump assembly
a1 Supply a2 Return a3 Breather a4 Expansion a5 Boiler drain
a6 Burner connection a7 Flue gas drain

ELICOIL FO		200	320	400	500	640	800	1000	1300	1600	2000	2500	3000		
Heat output	kW	233	372	465	582	745	931	1163	1512	1861	2326	2907	3488		
Heat input	kW	271	433	541	677	866	1083	1353	1758	2164	2705	3380	4056		
Oil content	dm ³	122	283	302	387	574	719	1041	934	1534	1626	2366	2713		
Δp oil side	mbar	1200	1300	1200	1400	1300	1500	1400	1600	1500	1800	1800	2400		
Δp flue gas side	mbar	1,3	1,9	2,4	3,0	3,6	6,0	4,8	6,0	4,8	6,0	7,2	8,6		
Pump oil delivery	m ³ /h	10	16	20	25	32	40	50	65	80	100	125	150		
Pressure drop	mH ₂ O	45	44	41	44	41	51	41	50	54	51	47	45		
Installaed electrical power	kW	5,5	5,5	7,5	7,5	7,5	11	11	15	18,5	22	30	30		
Boiler weight	kg	1740	2640	2800	3400	4580	5080	7040	7260	9580	9980	10500	11600		
Pump assembly weight	kg	280	280	300	360	360	410	440	540	610	700	900	1100		
DIMENSIONS	A	mm	1485	1795	1795	1795	2035	2035	2265	2265	2665	2665	2915	2915	
	B	mm	1190	1470	1470	1470	1680	1680	1840	1840	2190	2190	2400	2400	
	C	mm	1544	1953	2100	2474	2803	2978	3538	3850	4135	4458	4800	5350	
	D	mm	770	800	800	800	920	920	970	970	1080	1080	1130	1130	
	E	mm	520	520	520	520	520	530	530	530	590	590	670	670	
	F	mm	1000	1240	1240	1240	1420	1420	1550	1550	1850	1850	2020	2020	
	G	mm	800	1000	1100	1350	1600	1600	2100	2300	2300	2600	2700	3200	
	H	mm	310	335	335	380	380	445	445	505	600	600	680	680	
	L	mm	159	195	195	220	243	273	293	293	352	352	410	410	
	M	mm	890	1060	1060	1060	1195	1195	1345	1345	1570	1570	1715	1715	
	a1-a2	PN16 DN	50	50	50	65	65	80	80	100	100	125	125	150	
	a3	PN16 DN	25	25	25	25	32	32	32	40	40	50	50	50	
	a4	PN16 DN	25	25	25	25	32	32	32	40	40	50	50	50	
	a5	PN16 DN	20	20	20	20	20	20	20	20	20	20	20	20	
	a6	ø max nose	mm	170	240	240	240	270	270	300	300	360	360	360	360
		min nose length	mm	220	300	300	300	300	300	300	300	300	300	300	300
max nose length		mm	260	400	400	400	400	450	450	450	490	490	530	530	
a7	width	mm	170	195	195	240	240	305	305	365	460	460	540	540	
	height	mm	140	170	170	170	200	200	270	270	320	320	360	360	

ELICOIL FO + EVA

DIATHERMIC OIL BOILER - STEAM WORKING PRESSURE 12/15 bar



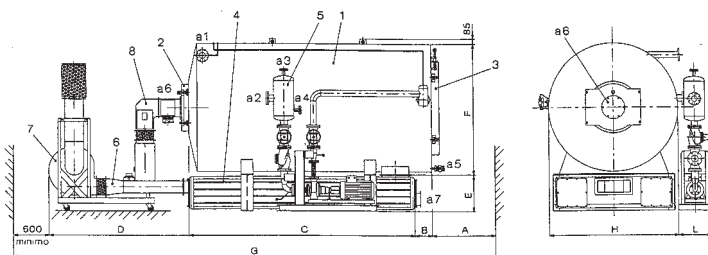
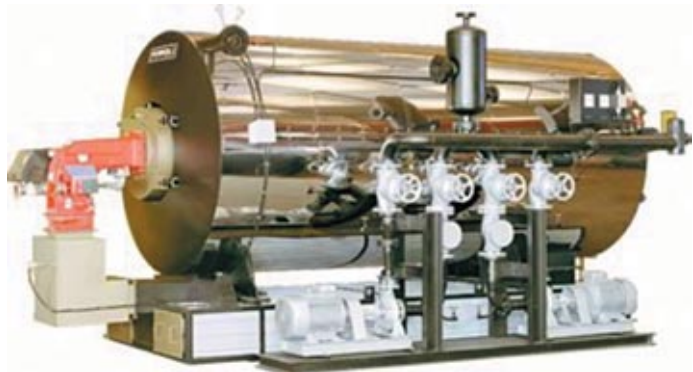
Key

1 Boiler body 2 Front cleaning door 3 Rear cleanin door 4 Control panel 5 Oil pump assembly 6 Water pump assembly 7 Evaporator 8 Termoadjusting a1 Steam outlet a2 Pump feed a3 Breather a4 Expansion a5 Boiler drain a6 Exhaust connection of safety valve a7 Burner connection a8 Flue gas drain

ELICOIL FO EVA			200	320	400	500	640	800	1000	1300	1600	2000	2500	3000	
Steam production	kg/h		341	546	683	854	1093	1366	1708	2165	2665	3330	4165	5000	
Heat output	kW		233	372	465	582	745	931	1163	1512	1861	2326	2907	3488	
Heat input	kW		271	433	541	677	866	1083	1353	1758	2164	2705	3380	4056	
Oil content	dm ³		174	360	386	491	711	882	1223	1211	1845	2030	2880	3360	
Min. level water content	dm ³		436	818	813	807	1076	1066	1054	2392	2370	2346	3291	3248	
Pump feed	dm ³ /h		682	1092	1366	1708	1749	2186	2733	3464	4264	5328	6664	8000	
Δp flue gas side	mbar		1,3	1,9	2,4	3,0	3,6	6,0	4,8	6,0	4,8	6,0	7,2	8,6	
Termoadjusting	DN		40	40	40	50	50	65	65	80	80	100	100	100	
Installed electrical power	kW		11	11	13	13	13	16,5	16,5	24	27,5	31	39	39	
Boiler weight	kg		1740	2640	2800	3400	4580	5080	7040	7260	9580	9980	10500	11600	
Evaporator weight	kg		710	810	830	860	1140	1190	1230	1610	1670	1780	2825	2935	
Pump assembly weight	kg		280	280	300	360	360	410	440	540	610	700	900	1100	
DIMENSIONS	A	mm	1485	1795	1795	1795	2035	2035	2265	2265	2665	2665	2915	2915	
	B	mm	1190	1470	1470	1470	1680	1680	1840	1840	2190	2190	2400	2400	
	C	mm	1544	1953	2100	2474	2803	2978	3538	3850	4135	4458	4800	5350	
	D	mm	770	800	800	800	920	920	970	970	1080	1080	1130	1130	
	E	mm	2455	2885	2885	2885	3225	3225	3455	3775	4175	4175	4536	4536	
	F	mm	387	684	637	418	624	507	48	-334	-609	-982	-270	-860	
	G	mm	360	477	377	222	371	313	212	70	60	110	120	160	
	H	mm	1990	2738	2638	2633	3079	3044	3273	2645	2735	2810	3690	3780	
	a1 (12 bar)	PN16 DN	40	50	50	50	65	65	65	80	80	80	125	125	
	a2	ø mm	42,4	42,4	42,4	42,4	60,3	60,6	60,3	76,1	76,1	88,9	88,9	88,9	
	a3	PN16 DN	25	25	25	25	32	32	32	40	40	50	50	50	
	a4	PN16 DN	25	25	25	25	32	32	32	40	40	50	50	50	
	a5	PN16 DN	20	20	20	20	20	20	20	20	20	20	20	20	
	a6	PN16 DN	40	40	40	40	40	40	40	65	65	65	65	65	
	a7	ø max nose	mm	170	240	240	240	270	270	300	300	360	360	360	360
		min nose length	mm	220	300	300	300	300	300	300	300	300	300	300	300
max nose length		mm	260	400	400	400	400	450	450	450	490	490	530	530	
a8	width	mm	170	195	195	240	240	305	305	365	460	460	540	540	
	height	mm	140	170	170	170	200	200	270	270	320	320	360	360	

ELICOIL FO.p

DIATHERMIC OIL BOILER - WORKING PRESSURE 8 bar



Key

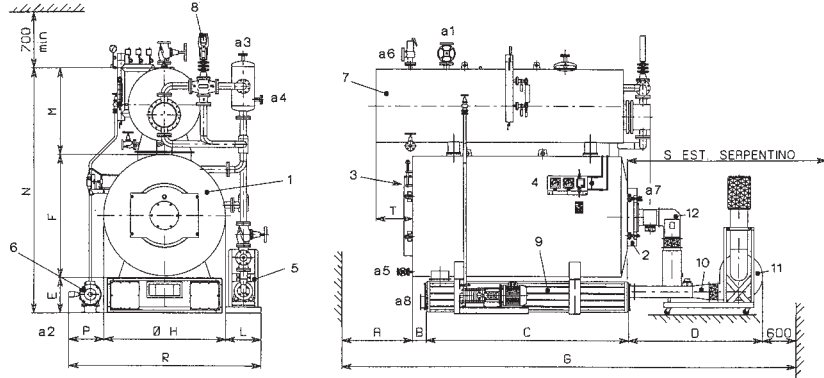
1 Boiler body 2 Front cleaning door 3 Rear cleaning door 4 Pre-heater 5 Pump assembly 6 Combustion air fan - burner connection 7 Combustion air fan 8 Industrial burner (c.a. 140°C) a1 Supply a2 Return a3 Breather a4 Expansion a5 Boiler drain a6 Burner attachment a7 Flue gas drain

ELICOIL FO p		1000	1300	1600	2000	2500	3000	
Heat output	kW	1163	1512	1861	2326	2907	3488	
Heat input	kW	1264	1643	2022	2528	3160	3791	
Oil content	dm ³	1041	934	1534	1626	2366	2713	
Δp oil side	mbar	1400	1600	1500	1800	1800	2400	
Δp flue gas/air side	mbar	13	14	16	18	20	23	
Oil pump delivery	m ³ /h	50	65	80	100	125	150	
Oil pump pressure drop	mH ₂ O	41	50	54	51	47	45	
Oil pump electrical power	kW	11	15	18,5	22	30	30	
c.a. air fan delivery*	m ³ /sec.	0,48	0,63	0,77	0,96	1,20	1,44	
Boiler weight	kg	7040	7260	9580	9980	10500	11600	
Pre-heater weight	kg	1300	1400	1550	1670	2090	2250	
Pump assembly weight	kg	440	540	610	700	900	1100	
DIMENSIONS	A	mm	970	970	1080	1080	1130	1130
	B	mm	233	233	292	292	350	350
	C	mm	3305	3617	3843	4166	4450	5000
	D	mm	2035	2125	2225	2225	2375	2480
	E	mm	585	585	620	620	655	655
	F	mm	1890	1890	2240	2240	2450	2450
	G	mm	7143	7545	8040	8363	8905	9560
	H	mm	1840	1840	2190	2190	2400	2400
	L	mm	530	530	590	590	670	670
	a1-a2	PN16 DN	80	100	100	125	125	150
	a3	PN16 DN	32	40	40	50	50	50
	a4	PN16 DN	32	40	40	50	50	50
	a5	PN16 DN	20	20	20	20	20	20
	a6	ø max nose mm	300	300	360	360	360	360
		min nose length mm	300	300	300	300	300	300
	max nose length mm	450	450	490	490	530	530	
a7	width mm	450	450	600	600	800	800	
	height mm	175	175	195	195	215	215	

* The static pressure and electrical power of the AC fan depend on the type of burner.

ELICOIL FO.p + EVA

DIATHERMIC OIL BOILER - STEAM WORKING PRESSURE 12/15 bar


Key

1 Boiler body **2** Front cleaning door **3** Rear cleaning door **4** Control panel **5** Oil pump assembly **6** Water pump assembly **7** Evaporator **8** Termoadjusting **9** Pre-heater **10** Combustion air fan - burner connection **11** Ventilatore aria comburente **12** Industrial burner (c.a. 140°C) **a1** Steam outlet **a2** Pump feed **a3** Breather **a4** Expansion **a5** Boiler drain **a6** Exhaust connection of safety valve **a7** Burner connection **a8** Flue gas drain

ELICOIL FO p EVA		1000	1300	1600	2000	2500	3000	
Steam production	kg/h	1708	2165	2665	3330	4165	5000	
Heat output	kW	1163	1512	1861	2326	2907	3488	
Heat input	kW	1264	1643	2022	2528	3160	3791	
Oil content	dm ³	1223	1211	1845	2030	2880	3360	
Min. level water content	dm ³	1054	2392	2370	2346	3291	3248	
Pump feed	dm ³ /h	2733	3464	4264	5328	6664	8000	
Δp flue gas/air side	mbar	13	14	16	18	20	23	
Termoadjusting	DN	65	80	80	100	100	100	
C.a. air fan delivery*	m ³ /sec.	0,48	0,63	0,77	0,96	1,20	1,44	
Boiler weight	kg	7040	7260	9580	9980	10500	11600	
Pre-heater weight	kg	1300	1400	1550	1670	2090	2250	
Evaporator weight	kg	1230	1610	1670	1780	2825	2935	
Pump assembly weight	kg	440	540	610	700	900	1100	
DIMENSIONS	A	mm	970	970	1080	1080	1130	1130
	B	mm	233	233	292	292	350	350
	C	mm	3305	3617	3843	4166	4450	5000
	D	mm	2035	2125	2225	2225	2375	2480
	E	mm	585	585	620	620	655	655
	F	mm	1890	1890	2240	2240	2450	2450
	G	mm	7143	7545	8040	8363	8905	9560
	H	mm	1840	1840	2190	2190	2400	2400
	L	mm	530	530	590	590	670	670
	M	mm	1190	1510	1510	1510	1620	1620
	N	mm	3665	3985	4370	4370	4725	4725
	P	mm	400	400	500	500	600	600
	R	mm	2770	2770	3280	3280	3670	3670
	S	mm	3273	2645	2735	2810	3690	3780
	T	mm	48	-334	-609	-982	-270	-860
	a1 (12 bar)	PN16 DN	65	80	80	80	125	125
	a2	ø mm	60,3	76,1	76,1	88,9	88,9	88,9
	a3	PN16 DN	32	40	40	50	50	50
	a4	PN16 DN	32	40	40	50	50	50
	a5	PN16 DN	20	20	20	20	20	20
a6	PN16 DN	40	65	65	65	65	65	
a7	ø max nose	mm	300	300	360	360	360	360
	min nose length	mm	300	300	300	300	300	300
	max nose length	mm	450	450	490	490	530	530
a8	width	mm	305	365	460	460	540	540
	height	mm	270	270	320	320	360	360

* The static pressure and electrical power of the AC fan depend on the type of burner.