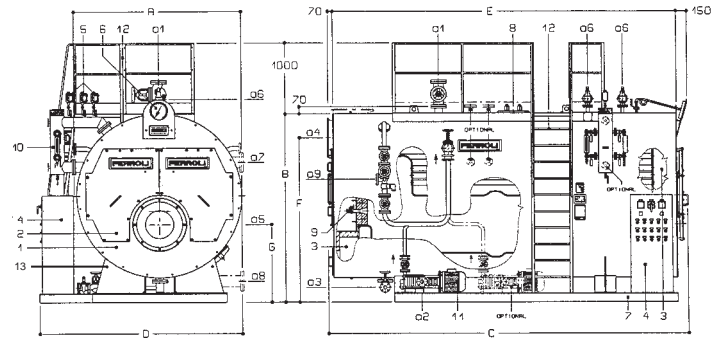


VAPOPREX 3G

3 EFFECTIVE FLUE PASSES STEAM GENERATOR



Key

1 Boiler body 2 Front inged door 3 Smoke boxes 4 Control panel 5 Pressure switches 6 Dial pressure gauge 7 Boiler bed 8 Manhole 9 Furnace peep hole 10 Gauge and level control unit 11 Feeding pump 12 Stair and platform 13 Anchor holes a1 Steam outlet a2 Feeding water pump connection a3 Boiler drain a4 Stack connection a5 Burner connection a6 Exhaust connection of safety valve a7 Superheated water supply (optional) a8 Superheatedwater outlet (optional) a9 Auxiliary feed water connection

VAPOPREX 3G		1250	1500	1750	1750S	1750SS	2000	2500	3000	3500	4000	4500	5000	6000	7200	9000	10400	12000	
Output	kW	1454	1744	2035	2035	2035	2326	2907	3489	4070	4652	5234	5815	6978	8374	10467	12095	13956	
Input	kW	1615	1937	2261	2261	2261	2584	3230	3876	4522	5168	5815	6461	7753	9304	11630	13438	15506	
Δp flue gas side	mbar	5,8	7,1	8,5	—	—	10	14	12	16	13,5	20	14,5	20	19	24	28	34	
Steam production (12 bar)	t/h	2,15	2,58	2,99	2,99	2,99	3,45	4,31	5,17	6,03	6,89	7,76	8,62	10,34	12,41	15,52	18	20	
Total content	m ³	6,2	7,42	8,74	8,90	10,82	8,90	10,84	11,60	13,30	14,7	16,8	17,4	20,9	21,0	23,6	32,83	36,9	
Level content	m ³	5,1	6,11	7,22	7,20	8,80	7,20	8,80	9,40	10,9	11,9	14,1	14,1	17	17,4	19	25,28	28,4	
Dry weight (12 bar)	kg	8150	9000	9700	10680	12100	10680	12100	14000	15400	18000	20100	24000	25800	33400	38000	49000	54200	
Dry weight (15 bar)	kg	9250	10250	11000	12000	13800	12000	13800	15900	17500	20500	22900	26800	29500	37900	43500	55000	61000	
DIMENSIONS	A	mm	2230	2280	2230	2420	2420	2420	2600	2600	2720	2720	2940	2940	3000	3000	3140	3140	
	B	mm	2500	2500	2500	2720	2720	2720	2960	2960	3120	3120	3360	3360	3480	3480	3620	3620	
	C	mm	3810	4320	4870	4420	5120	4420	5120	4960	5560	5660	6260	5760	6660	6820	8220	8020	8820
	D	mm	2740	2740	2740	2940	2940	2940	3120	3120	3260	3260	3480	3480	3540	3540	3680	3680	
	E	mm	3590	4100	4650	4200	4900	4200	4900	4740	5340	5440	6040	5540	6440	6600	8000	7800	8600
	F	mm	2150	2150	2150	2350	2350	2350	2550	2550	2700	2700	2950	2950	3060	3060	3200	3200	
	G	mm	1060	1060	1060	1110	1110	1110	1230	1230	1300	1300	1370	1370	1430	1430	1480	1480	
GENERATOR BODY	Ø	mm	2200	2200	2200	2400	2400	2400	2580	2580	2720	2720	2940	2940	3000	3000	3140	3140	
	a1	DN	65	65	80	100	100	100	125	125	150	150	150	150	200	200	200	250	
	a2	DN	40	40	40	40	40	40	40	40	40	40	40	65	65	65	65	65	
	a3	DN	32	32	32	40	40	40	40	50	50	65	65	65	65	65	2 x 50	2 x 50	
	a4	Ø	450	450	450	500	500	500	500	600	600	600	600	700	700	850	850	950	950
	a6	DN	40	40	40	40	50	40	50	50	50	50	50	80	80	80	100+80	100+80	
	a7/a8	DN	100	100	100	125	150	125	150	150	150	200	200	200	200	250	250	300	300
	a9	DN	40	40	40	50	50	50	50	50	50	65	65	65	80	80	2 x 65	2 x 65	65 + 80

For gas burners decrease the fuel gas side pressure drop by 20%.