



Position	Qty.	Description	Single Price
	1	<p data-bbox="296 342 464 365">UPS 25-55 180</p> <div data-bbox="296 398 678 734"> </div> <p data-bbox="683 707 1177 730">Note! Product picture may differ from actual product</p> <p data-bbox="296 763 603 786">Product No.: 52002110</p> <p data-bbox="296 790 991 913">The pump is of the canned rotor type, i.e. pump and motor form an integral unit without shaft seal and with only two gaskets for sealing. The bearings are lubricated by the pumped liquid. The pump is characterized by:</p> <ul data-bbox="296 918 991 1048" style="list-style-type: none"> * Ceramic shaft and radial bearings. * Carbon axial bearing. * Stainless steel rotor can and bearing plate. * Corrosion-resistant impeller, Komposite, PES . * Cast iron pump housing. <p data-bbox="296 1081 919 1126">The motor is a 1 -phase motor. No additional motor protection is required.</p> <p data-bbox="296 1160 834 1205">Liquid: Liquid temperature range:-25 ..110 °C</p> <p data-bbox="296 1238 663 1317">Technical: TF class:110 Approvals on nameplate:CE</p> <p data-bbox="296 1350 919 1473">Materials: Material, pump housing:Cast iron EN-JL1030 DIN W.-Nr. 30 B ASTM Material, impeller:Komposite, PES</p> <p data-bbox="296 1507 791 1664">Installation: Amb. max at 80 dgr C liquid:80 °C Maximum operating pressure:10 bar Size, pipe connection:G 1 1/2 Pressure stage, pipe connec.:PN 10 Port-to-port length:180 mm</p> <p data-bbox="296 1686 746 2000">Electrical data: Power input speed 1:90 W Power input speed 2:115 W Max. power input:120 W Mains frequency:50 Hz Rated voltage:1 x230 V Current in speed 1:0.39 A Current in speed 2:0.49 A Max. current:0.5 A Capacitor size - run:3 µF Enclosure class (IEC 34-5):IP42 Insulation class (IEC 85):F</p> <p data-bbox="296 2033 576 2101">Others: Net weight:4.2 kg Gross weight:4.5 kg</p>	Price on request



Company name:

Created by:

Phone:

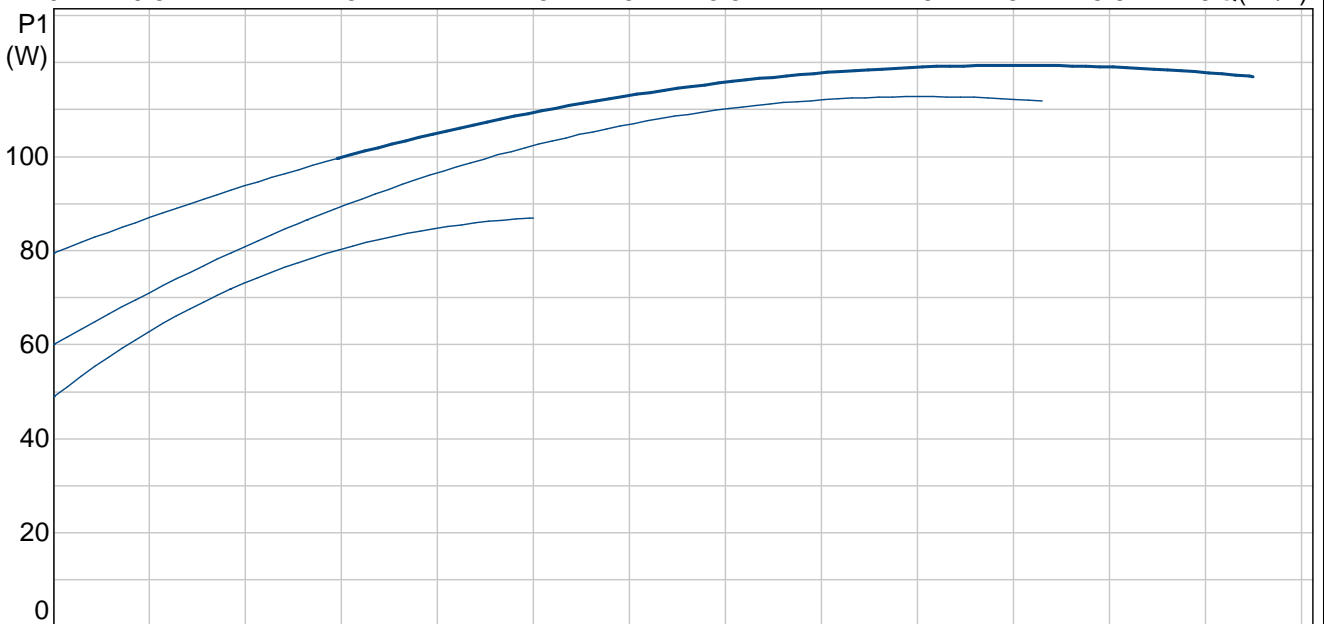
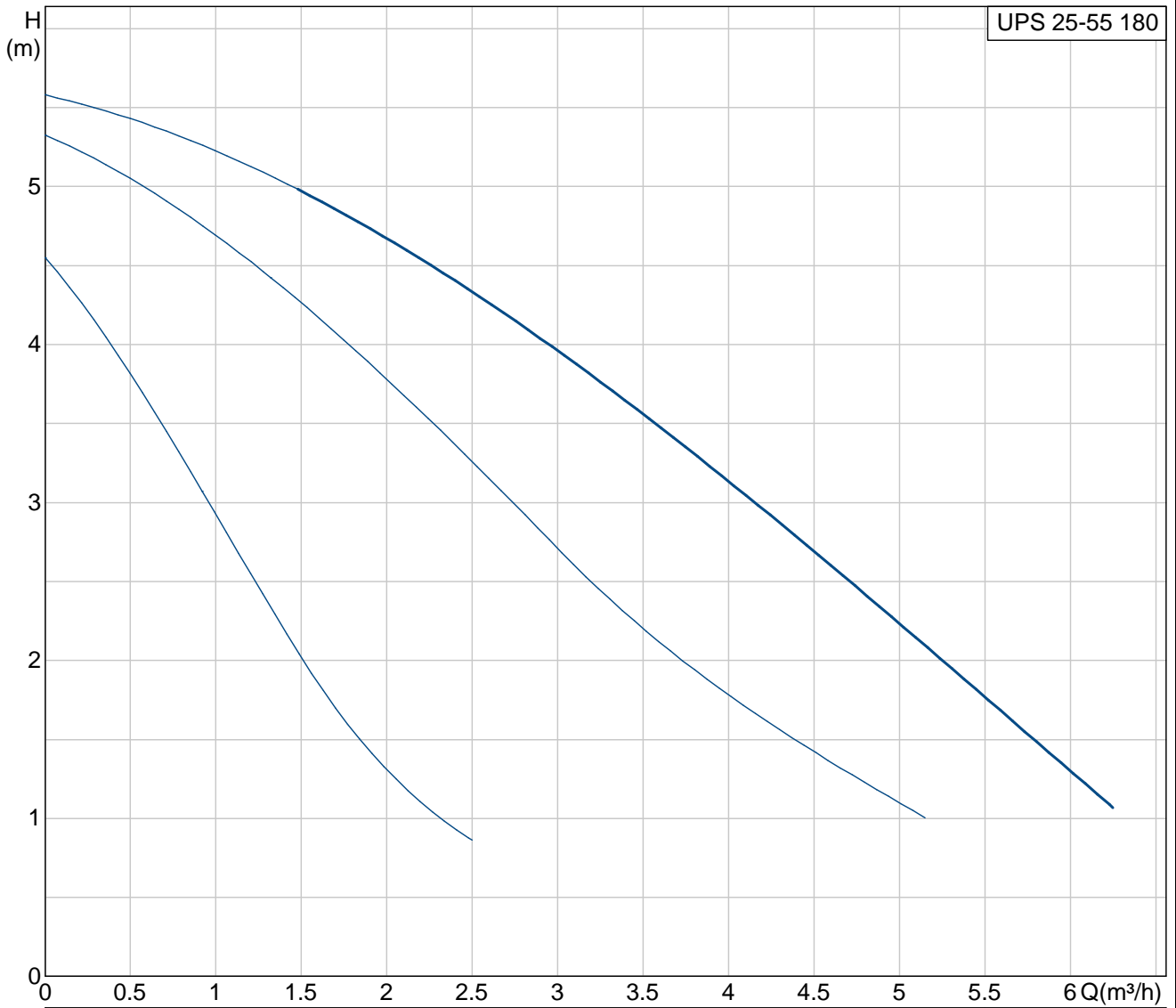
Fax:

Date:

1/10/2006

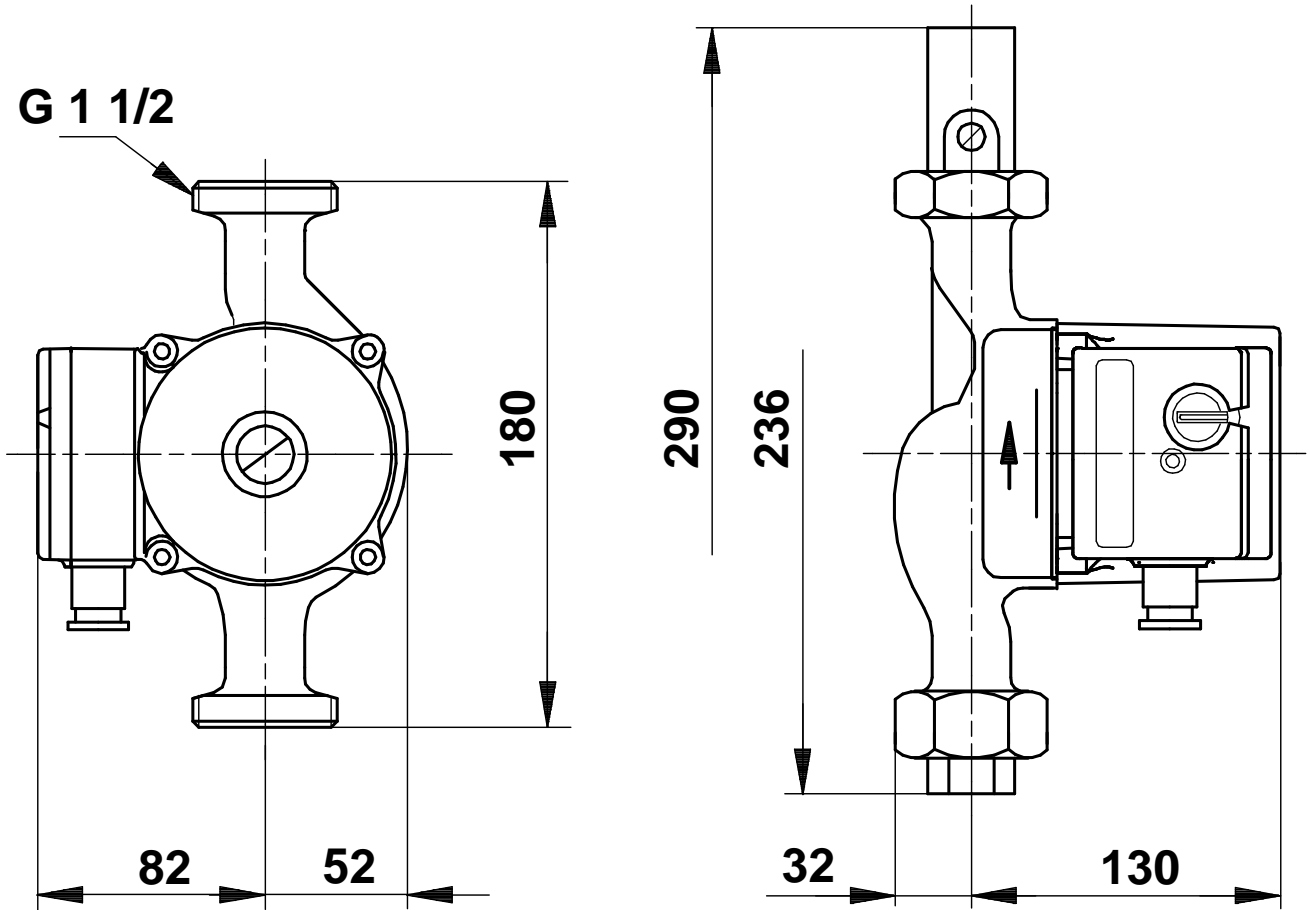
Position	Qty.	Description	Single Price
		Shipping volume:0.008 m ³	

52002110 UPS 25-55 180





52002110 UPS 25-55 180



Note! All units are in [mm] unless others are stated.

52002110 UPS 25-55 180

