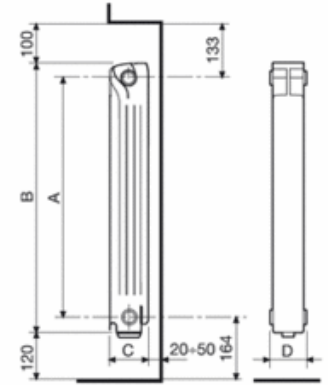


Calidor



Line: Aluminium radiators

Model: Calidor

Calidor is a die-cast aluminium alloy radiator with a modern design, created specifically for installation in any kind of environment and to go with any type of furnishings.

Calidor generates extremely high thermal power to heat rooms efficiently and provide a general state of wellbeing.



Calidor 100

Model	High (B)	Lenght (D)	Width (C)	Centre distance (A)	Diameter of fittings	Water content	Weight	Thermal power $\Delta T 50K$	Exponent	Coefficiente
	mm	mm	mm	mm	inches	liter/el	kg/el	W/el	n	Km
350/100	425	80	96	350	G1	0,30	1,10	97,37	1,3068	0,5863
500/100	578	80	96	500	G1	0,40	1,40	127,94	1,3128	0,7527
600/100	675	80	96	600	G1	0,46	1,65	148,52	1,3361	0,7977
700/100	778	80	96	700	G1	0,53	1,89	166,08	1,3480	0,8513
800/100	876	80	96	800	G1	0,61	2,09	182,26	1,3498	0,9275

Model	High (B)	Lenght (D)	Width (C)	Centre distance (A)	Diameter of fittings	Water content	Weight	Thermal power ΔT 50K	Exponent	Coefficiente
	mm	mm	mm	mm	inches	liter/el	kg/el	W/el	n	Km
500/80 3A	575	80	80	500	G1	0,34	1,35	112,63	1,3138	0,6599
600/80 3A	677	80	80	600	G1	0,39	1,51	131,20	1,3245	0,7373
700/80	777	80	80	700	G1	0,46	1,69	147,40	1,3393	0,7818
800/80	877	80	80	800	G1	0,52	1,90	161,00	1,3491	0,8218

Maximum operating pressure 600 KPa (6 bar)

Typical equation $\Phi = K_m \cdot \Delta t_n$, reference EN 442-1

The thermal power values published expressed at ΔT 50K are in conformity with European standard EN 442-2