

# ferroli

## NEW FLASH 4/6

The warmth of your home



# NEW FLASH 4/6

The range is easily adapted to all types of system layout. The FERROLI **NEW FLASH** radiator is produced at the ISO 9001:2000 certified facilities of a major European manufacturer. It is made using the most advanced steel panel manufacturing technology, and features the most recent innovations in the industry.

## **COMFORT WITHIN EVERYONE'S REACH**

With the FERROLI **NEW FLASH** radiator, you can effortlessly create the most advanced central heating systems for maximum comfort. The diffusion of the heat by radiation and convection guarantees maximum comfort and uniform heating. The performance of the **NEW FLASH** has been laboratory tested, in compliance with the European standard for hot water radiators, EN 442. The FERROLI **NEW FLASH** radiators are supplied ready for use, together with all the fastening accessories required. Optional accessories are available for some applications. The FERROLI radiator is also environmentally friendly. The protective packaging used to ship the unit is in fact made from recyclable cardboard.

## **A RANGE FOR ALL ENVIRONMENTS**

The range of FERROLI **NEW FLASH** radiators includes 4 models: types 11, 21, 22 et 33. Each model is available in heights of 300, 400, 500, 600, 700 and 900 mm.

## **AESTHETICS AND WARMTH**

The rounded corners and smooth edges of the **NEW FLASH** make the FERROLI radiators both aesthetically attractive and easy to handle. The radiators are fitted with a decorative top grille and two side pieces. The glossy RAL 9010 coating provides a further touch of elegance to the finish.

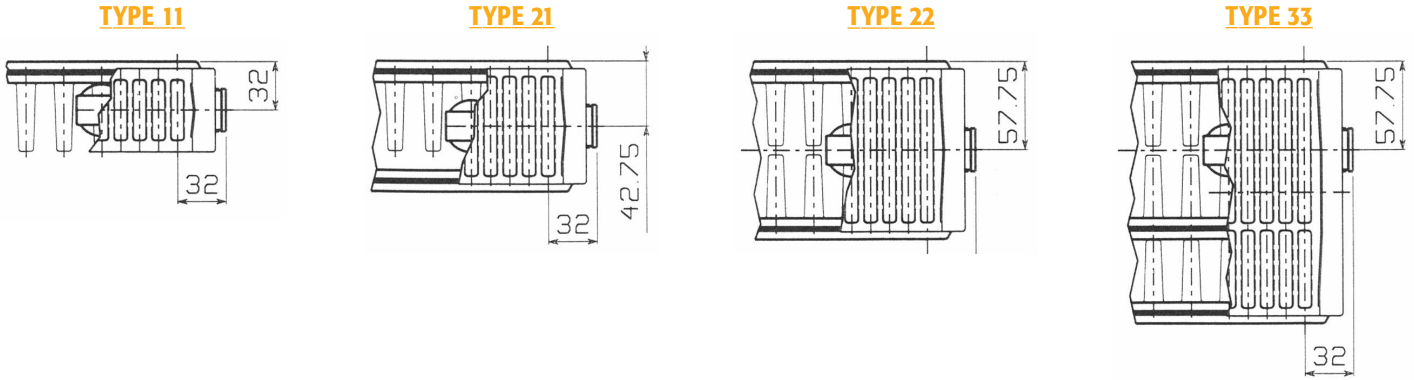
## **PERFORMANCE AND SAFETY**

The low inertia of the steel used allows the **NEW FLASH** to react quickly to the impulses from the thermostat or climate control.

## **STANDARD**

- Epoxy powder coated steel radiator, RAL 9010 white.
- Covers fitted in the factory, including the upper grille and side pieces.
- Radiator delivered in cardboard packaging.
- Operating pressure: 10 bar.



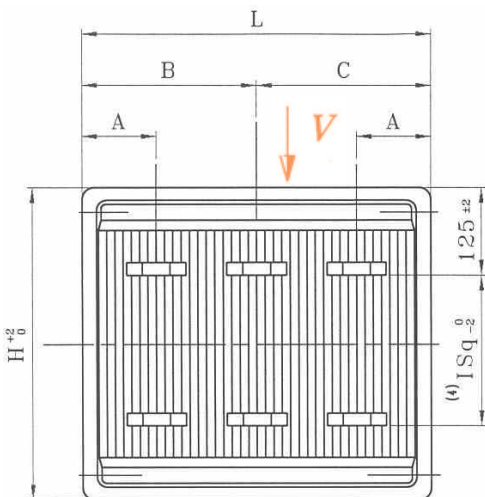


NB: For the chemical-physical characteristics of the water in the heating circuit, strictly adhere to the specifications defined in the UNI 8065 standard.

TYPE	Height	Depth	Intercenter	Water content	Weight	Exponent index	Constant	Output measured according to the EN 442 standards at $\Delta t=50^{\circ}\text{C}$ W/m
	H mm	mm	I mm	l/m	kg/m	n	$K_m$	
11	300	55,0	250	1,9	10,3	1,30721	0,16818	559,4
	400	55,0	350	2,5	13,4	1,30859	0,21793	728,8
	500	55,0	450	3,2	16,5	1,30997	0,26304	884,4
	600	55,0	550	3,8	19,5	1,31135	0,30363	1026,4
	700	55,0	650	4,5	22,6	1,32208	0,32763	1155,0
21	300	85,5	250	3,7	16,2	1,30184	0,24698	804,4
	400	85,5	350	4,8	21,4	1,30893	0,30275	1013,8
	500	85,5	450	6,0	26,6	1,31601	0,35229	1212,8
	600	85,5	550	7,1	31,9	1,32310	0,39661	1403,8
	700	85,5	650	8,3	37,1	1,33450	0,42914	1588,2
22	300	115,5	250	3,9	19,6	1,31814	0,30685	1065,2
	400	115,5	350	5,0	26,0	1,32643	0,37441	1342,6
	500	115,5	450	6,1	32,4	1,33471	0,433	1603,8
	600	115,5	550	7,2	38,7	1,34300	0,484	1851,8
	700	115,5	650	8,4	45,1	1,34995	0,53125	2088,6
33	300	171,7	250	5,4	29,0	1,32020	0,43131	1509,4
	400	171,7	350	7,2	38,6	1,33246	0,51734	1899,4
	500	171,7	450	8,9	48,2	1,34473	0,58619	2258,0
	600	171,7	550	10,7	57,7	1,35699	0,64084	2589,8
	700	171,7	650	12,4	67,3	1,36469	0,69568	2897,4
	900	171,7	850	16,0	86,4	1,38010	0,77977	3449,4

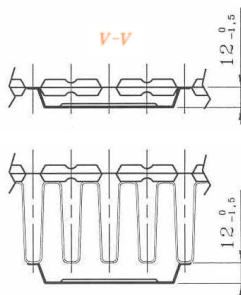
Thermal emissions in WATTS (according to the EN 442 standards, with  $\Delta T=50^{\circ}\text{C}$ ) -  $\theta = K_m \times (\Delta T)^{\theta}$

### NEW FLASH 4



**IRREVERSIBLE**

4 fittings for traditional side connection.



Length L	Dimensions (mm)		
	Squad n.	A	A
400	4	125	100

Length L	Dimensions (mm)				
	Squad n.	A	B	C	
300	2	-	150	150	
450	4	-	-	-	
500	4	150	-	-	
600	4	150	-	-	
700	4	150	-	-	
750	4	150	-	-	
800	4	150	-	-	
900	4	150	-	-	
1000	4	150	-	-	
1050	4	150	-	-	
1100	4	150	-	-	
1200	4	150	-	-	
1350	4	150	-	-	
1400	4	150	-	-	
1500	4	150	-	-	
1600	6	150	800	800	
1650	6	150	800	850	
1800	6	150	900	900	
1950	6	150	950	1000	
2000	6	150	1000	1000	
2100	6	150	1050	1050	
2250	6	150	1100	1150	
2300	6	150	1150	1150	
2400	6	150	1200	1200	
2550	6	150	1250	1300	
2600	6	150	1300	1300	
2700	6	150	1350	1350	
2850	6	150	1400	1450	
3000	6	150	1500	1500	

HEIGHTS						
	300	400	500	600	700	900
I Squad	75	175	275	375	475	675

**THERMAL EMISSIONS IN WATTS (according to the EN 442 standards with  $\Delta t=50^{\circ}\text{C}$ )  
for all types of both versions (4N and 6N) and for all sizes.**

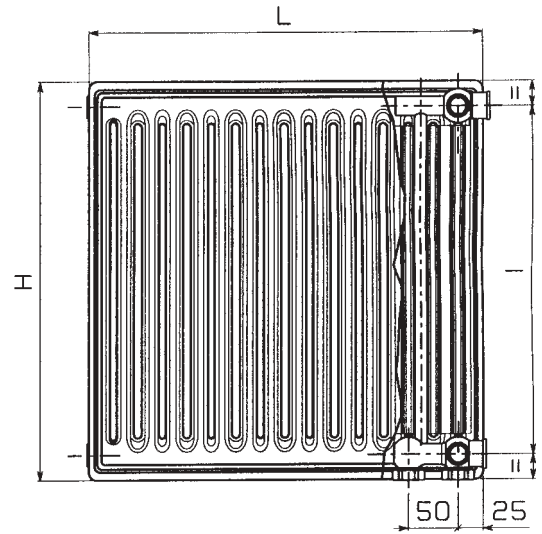
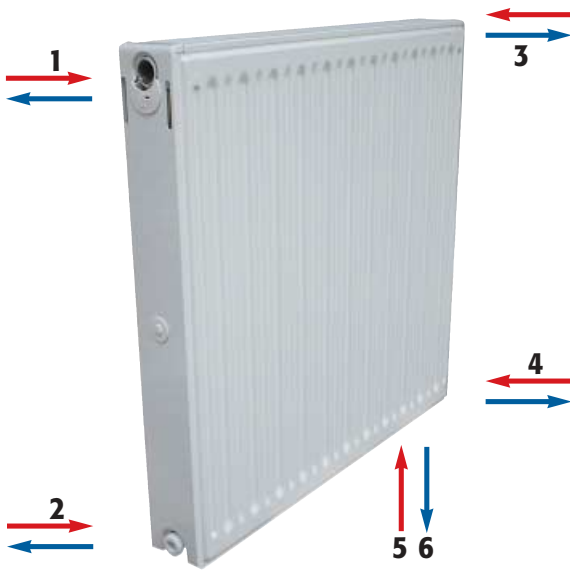
	LENGTH (mm)	HEIGHT (mm)					
		300	400	500	600	700	900
<b>TYPE 11</b>	400	223,8	291,5	353,8	410,6	462,0	549,5
	500	279,7	364,4	442,2	513,2	577,5	686,9
	600	335,6	437,3	530,6	615,8	693,0	824,3
	700	391,6	510,2	619,1	718,5	808,5	961,6
	800	447,5	583,0	707,5	821,1	924,0	1099,0
	900	503,5	655,9	796,0	923,8	1039,5	1236,4
	1000	559,4	728,8	884,4	1026,4	1155,0	1373,8
	1100	615,3	801,7	972,8	1129,0	1270,5	1511,2
	1200	671,3	874,5	1061,3	1231,7	1386,0	1648,5
	1400	783,1	1020,3	1238,2	1437,0	1617,0	1923,3
	1600	895,0	1166,1	1415,0	1642,2	1848,0	2198,1
	1800	1006,9	1311,8	1591,9	1847,5	2079,0	2472,8
	2000	1118,8	1457,6	1768,8	2052,8	2310,0	2747,6
	2300	1286,6	1676,2	2034,1	2360,7	2656,5	3159,7
2600	1454,4	1894,9	2299,5	2668,7	3003,0	3571,8	
3000	1678,2	2186,4	2653,2	3079,2	3465,0	4121,3	
<b>TYPE 21</b>	400	321,8	405,5	485,1	561,5	635,3	776,6
	500	402,2	506,9	606,4	701,9	794,1	970,8
	600	482,6	608,3	727,7	842,3	952,9	1165,0
	700	563,1	709,7	849,0	982,7	1111,7	1359,1
	800	643,5	811,0	970,2	1123,0	1270,6	1553,3
	900	724,0	912,4	1091,5	1263,4	1429,4	1747,4
	1000	804,4	1013,8	1212,8	1403,8	1588,2	1941,6
	1100	884,9	1115,2	1334,1	1544,2	1747,0	2135,7
	1200	965,3	1216,5	1455,4	1684,5	1905,8	2329,9
	1400	1126,2	1419,3	1697,9	1965,3	2223,5	2718,2
	1600	1287,1	1622,1	1940,5	2246,1	2541,1	3106,5
	1800	1447,9	1824,8	2183,1	2526,8	2858,8	3494,9
	2000	1608,8	2027,6	2425,6	2807,6	3176,4	3883,2
	2300	1850,1	2331,7	2789,5	3228,7	3652,9	4465,6
2600	2091,5	2635,8	3153,3	3649,8	4129,3	5048,1	
3000	2413,2	3041,4	3638,4	4211,4	4764,6	5824,8	
<b>TYPE 22</b>	400	426,1	537,0	641,5	740,7	835,4	1013,7
	500	532,6	671,3	801,9	925,9	1044,3	1267,1
	600	639,1	805,6	962,3	1111,1	1253,2	1520,5
	700	745,6	939,8	1122,7	1296,3	1462,0	1773,9
	800	852,2	1074,1	1283,0	1481,4	1670,9	2027,4
	900	958,7	1208,3	1443,4	1666,6	1879,7	2280,8
	1000	1065,2	1342,6	1603,8	1851,8	2088,6	2534,2
	1100	1171,7	1476,8	1764,2	2037,0	2297,5	2787,6
	1200	1278,3	1611,1	1924,6	2222,1	2506,3	3041,0
	1400	1491,3	1879,6	2245,3	2592,5	2924,0	3547,9
	1600	1704,3	2148,1	2566,1	2962,9	3341,7	4054,7
	1800	1917,4	2416,7	2886,8	3333,2	3759,5	4561,5
	2000	2130,4	2685,2	3207,6	3703,6	4177,2	5068,4
	2300	2450,0	3087,9	3688,7	4259,1	4803,8	5828,6
2600	2769,6	3490,7	4169,9	4814,7	5430,3	6588,9	
3000	3195,6	4027,8	4811,4	5555,4	6265,8	7602,6	
<b>TYPE 33</b>	400	603,8	759,8	903,2	1035,9	1159,0	1379,8
	500	754,7	949,7	1129,0	1294,9	1448,7	1724,7
	600	905,6	1139,6	1354,8	1553,9	1738,4	2069,6
	700	1056,6	1329,6	1580,6	1812,9	2028,2	2414,6
	800	1207,5	1519,5	1806,4	2071,8	2317,9	2759,5
	900	1358,4	1709,5	2032,2	2330,8	2607,7	3104,5
	1000	1509,4	1899,4	2258,0	2589,8	2897,4	3449,4
	1100	1660,3	2089,3	2483,8	2848,8	3187,1	3794,4
	1200	1811,3	2279,3	2709,6	3107,8	3476,9	4139,3
	1400	2113,1	2659,2	3161,2	3625,7	4056,3	4829,2
	1600	2415,0	3039,0	3612,8	4143,7	4635,8	5519,1
	1800	2716,9	3418,9	4064,4	4661,6	5215,3	6208,9
	2000	3018,8	3798,8	4516,0	5179,6	5794,8	6898,9
	2300	3471,6	4368,6	5193,4	5956,5	6664,0	7933,6
2600	3924,4	4938,4	5870,8	6733,5	7533,2	8968,5	
3000	4528,2	5698,2	6774,0	7769,4	8692,2	10348,2	

NB: For the purposes of certification, the "FLASH 4 N" and "FLASH 6 N" models correspond to the series with the factory name "P2000".

# NEW FLASH 4/6

## NEW FLASH 6

For traditional or two pipe system connection.



**IRREVERSIBLE**

Dimensions (mm)		
Length L	Height H	Intercenter I
300	300	250
400	400	350
500	500	450
600	600	550
700	700	650
800	900	850
900		
1000		
1100		
1200		
1400		
1600		
1800		
2000		
2300		
2600		
3000		

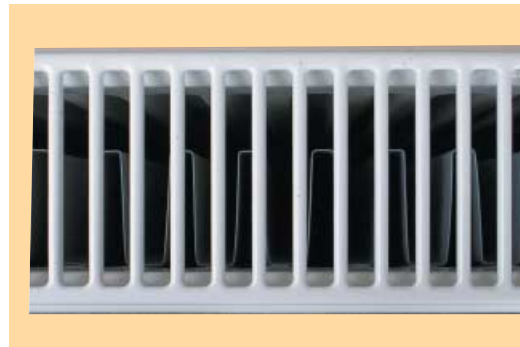
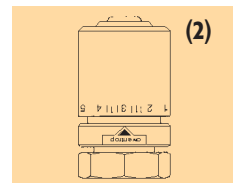
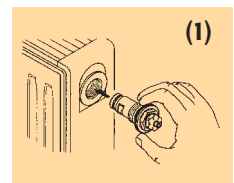
With the **NEW FLASH** "sweet heat" radiator, you can effortlessly create the most advanced central heating systems for maximum comfort.

### THE IDEAL COMFORT FOR YOUR NEEDS

The range of FERROLI radiators are supplied with covers, feature 6 connections, allowing connections for traditional system or two pipes system.

The 6 connections (4 x 1/2" on the side and 2 x 3/4" male, Eurocône type, bottom) offer a choice of quick connections for any circumstances:

- Traditional side connection.
- Connections to single- or two-pipe systems.
- Extra accessories: regulation valve (1) that can be used also with thermostatic heads (2) (Oventrop/Danfoss/ Heimaier).



# ferroli

Cod. 89AG200102 - 12.2005



Ferroli spa - 37047 San Bonifacio (Verona) Italy - Via Ritonda 78/A  
tel. +39.045.6139411 - fax +39.045.6100233  
[www.gruppoferroli.com](http://www.gruppoferroli.com) - e-mail: [export@ferroli.it](mailto:export@ferroli.it)

WARNING FOR TRADERS: As part of its efforts to constantly improve its range of products, with the aim of increasing the level of Customer satisfaction, the Company stresses that the appearance, dimensions, technical data and accessories may be subject to variation. Consequently, ensure that the Customer is provided with updated documents. The products described in this document are covered by warranty if purchased and installed in Italy.