



# LOW NO<sub>x</sub> INDUSTRIAL OIL, GAS AND DUAL FUEL AIR REGISTER BURNERS

## ▶ ER SERIES

▶ ER 4	540/2500 ÷ 4000 kW
▶ ER 6	840/4000 ÷ 6000 kW
▶ ER 9	1250/6000 ÷ 9000 kW
▶ ER 12	1750/9000 ÷ 12000 kW
▶ ER 16	2350/12000 ÷ 16000 kW
▶ ER 20	3000/16000 ÷ 20000 kW

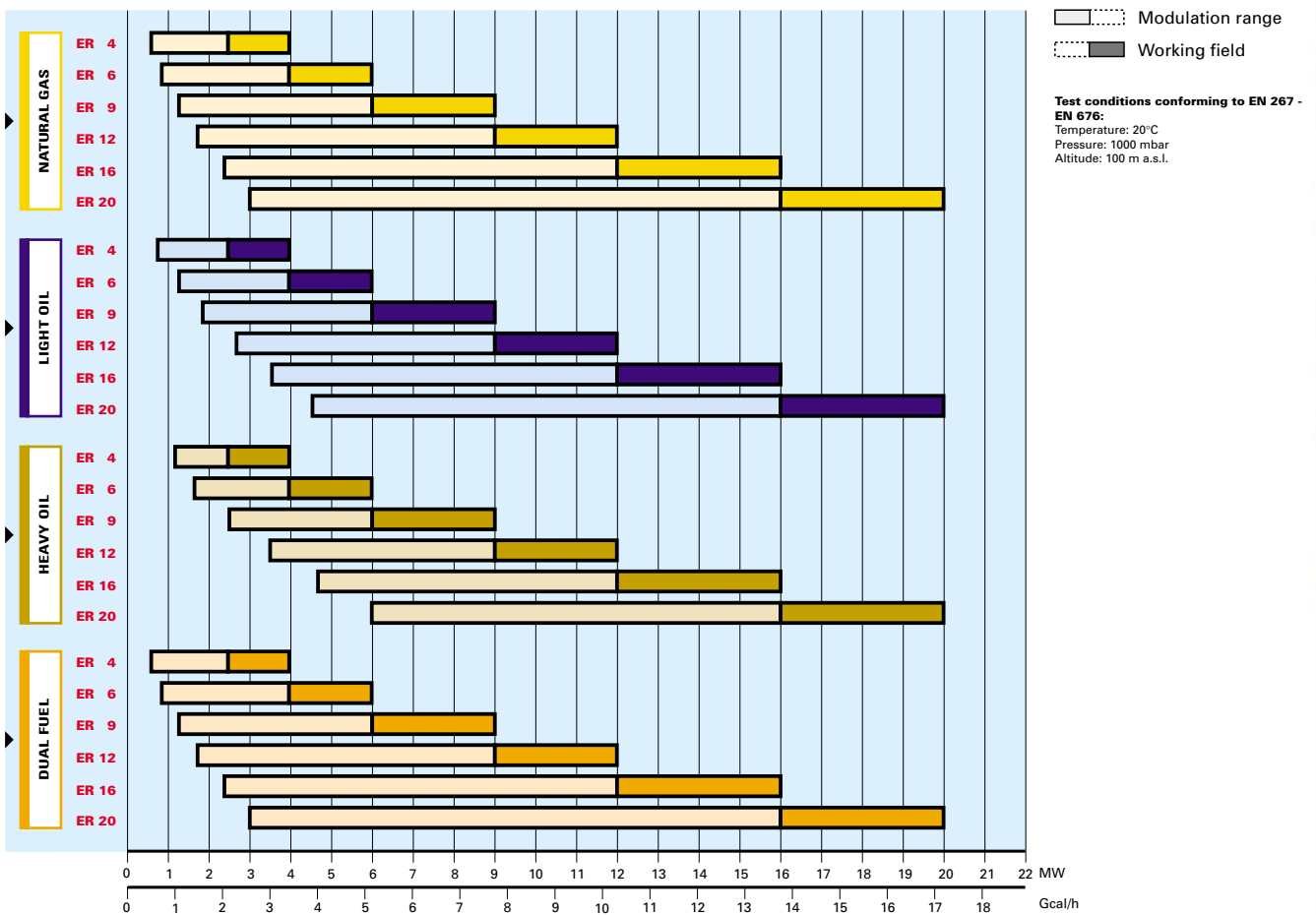


The industrial burners ER series are designed particularly for water tube boilers used in big civil installations and industrial processes with a remarkable thermal demand.

These series allows to realise a modular and flexible combustion system adding a preparation fuel unit (regulation pressure group set, preheating/pumping oil station), a gas train, a control panel and a fan. It can also be used a preheated air as in the oil diathermic generators and other heat recovery systems.

The modulating regulation always allows to reach a wide modulation ratio and optimal fluid-dynamics conditions for a good combustion.

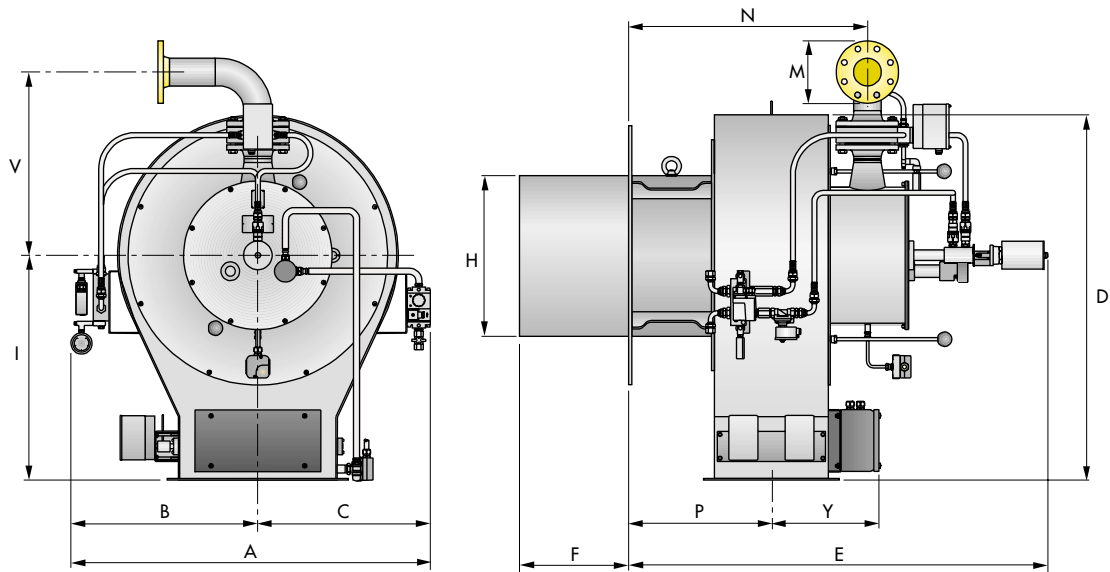
## FIRING RATES



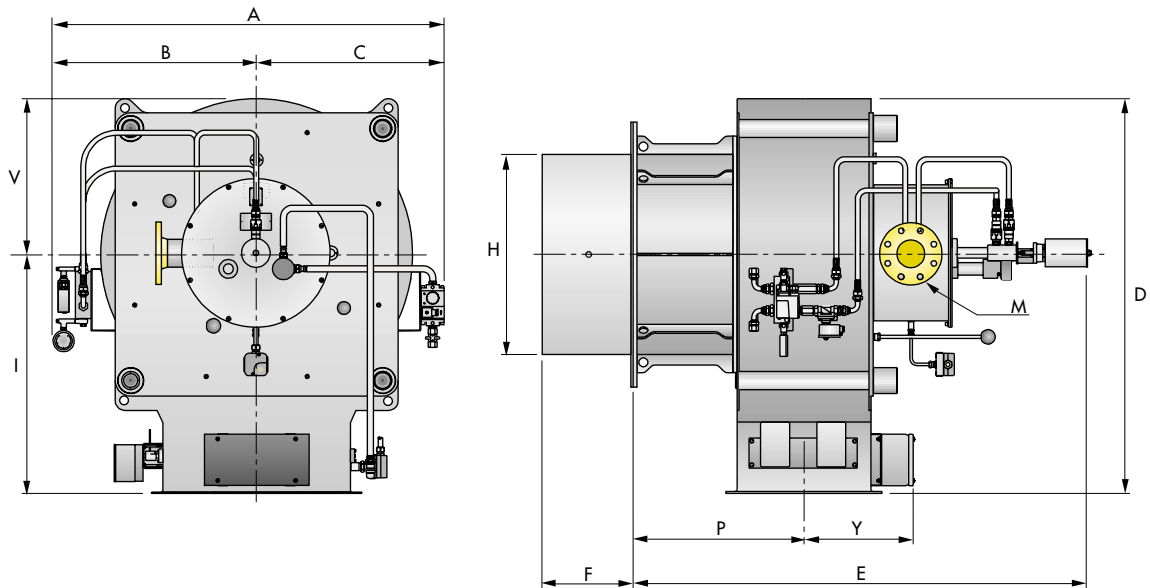
## ER series - OVERALL DIMENSIONS (mm)

### BURNER

#### ER 4 - 6 - 9 - 12



#### ER 16 - 20

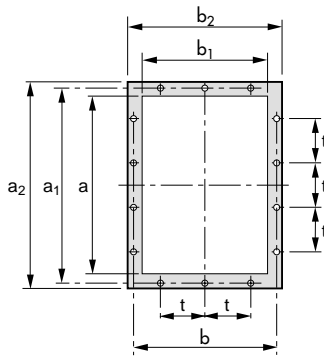


Model	A	B	C	D	E	F	H	I	M	N	P	Y	V
▶ ER 4	855	455	400	835	1160	330	370	530	DN 65	605	380	307	542
▶ ER 6	855	455	400	835	1160	330	430	530	DN 65	605	380	307	542
▶ ER 9	1150	600	550	1170	1345	350	520	720	DN 80	765	457	345	588
▶ ER 12	1150	600	550	1170	1345	350	600	720	DN 80	765	457	345	588
▶ ER 16	1500	800	700	1520	1800	350	690	920	DN 100	--	658	420	600
▶ ER 20	1500	800	700	1520	1800	350	770	920	DN 100	--	658	420	600

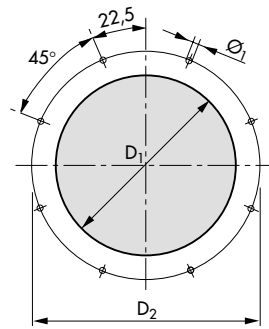
## ► MOUNTING FLANGE

ER 4 - 6 - 9 - 12 - 16 - 20

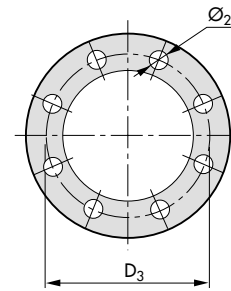
AIR DUCT CONNECTION



FIXING TO THE BOILER

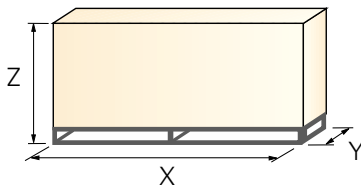


GAS SUPPLY



Model	a	a <sub>1</sub>	a <sub>2</sub>	b	b <sub>1</sub>	b <sub>2</sub>	D <sub>1</sub>	D <sub>2</sub>	D <sub>3</sub>	t	Ø <sub>1</sub>	Ø <sub>2</sub>
► ER 4	400	444	480	324	280	360	380	552	145	148	M18	18
► ER 6	400	444	480	324	280	360	440	552	145	148	M18	18
► ER 9	500	551	580	405	355	435	530	800	160	125	M18	18
► ER 12	500	551	580	405	355	435	620	800	160	125	M18	18
► ER 16	710	775	810	567	500	600	790	970	180	160	M20	18
► ER 20	710	775	810	567	500	600	790	970	180	160	M20	18

## ► PACKAGING



Model	X	Y	Z	kg
► ER 4	2090	1460	1680	
► ER 6	2090	1460	1680	
► ER 9	2300	1750	1900	
► ER 12	2300	1750	1900	
► ER 16	2750	2100	2150	
► ER 20	2750	2100	2150	

# ER series - SPECIFICATION

## DESIGNATION OF SERIES

